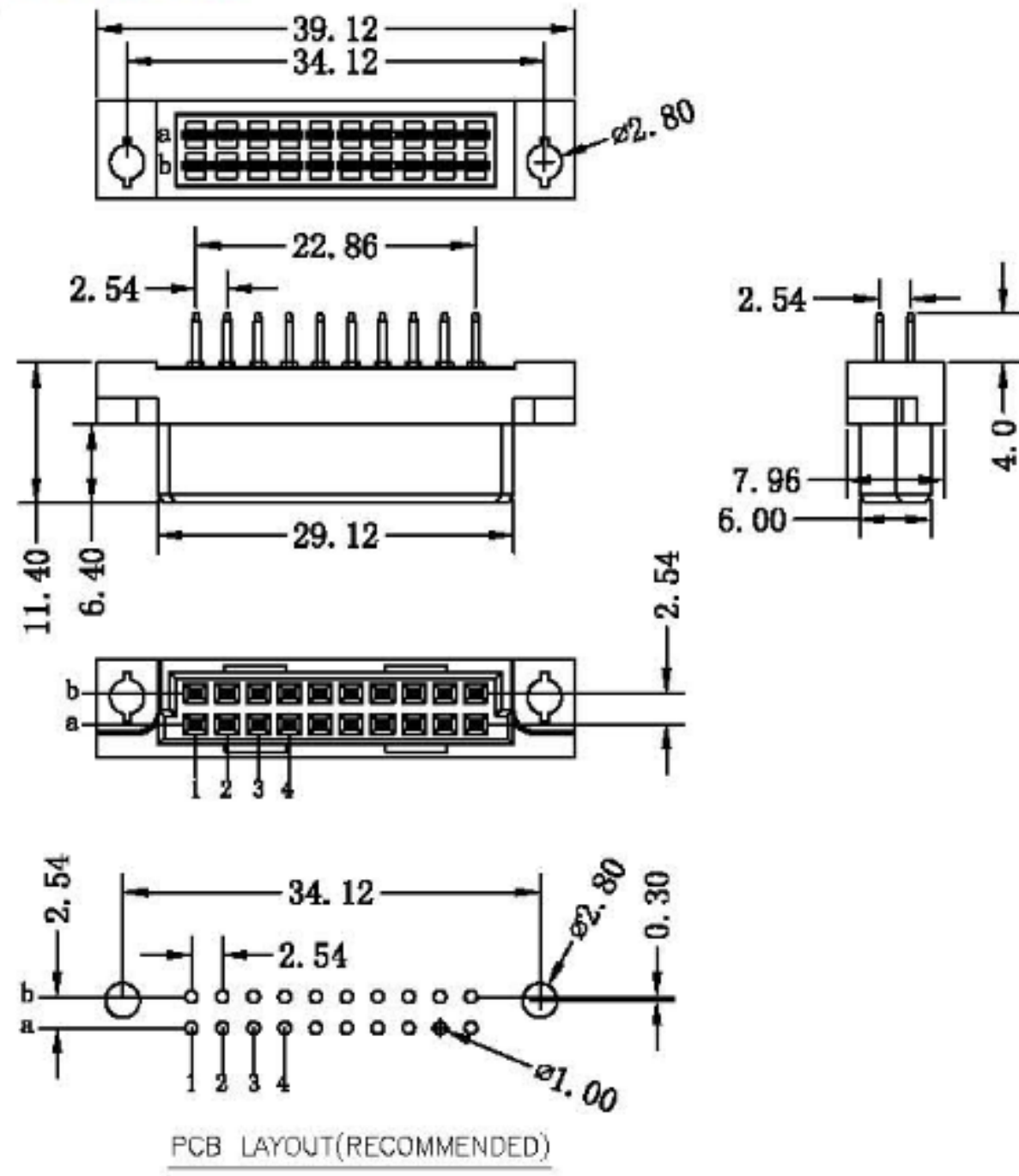


HLAL Series

DIN41612 B Simple Type Female

Drawing NO. : DIN155

UNIT:mm



MATERIAL:

Contacts:Brass
Housing:PBT UL 94V-0

ELECTRICAL CHARACTERISTICS:

Current Rating:2 A
Dielectric Withstanding Voltage:AC 1000V
Insulator Resistance:1000 M Ω min
Contact Resistance:30 mΩ max
Operating Temperature:-55° C~+105° C

Pitch	Position	Rows with Contacts	Contact Arrange
2.54mm	20	a b	
	10	a -	
5.08mm	10	a b	
	5	a -	

ORDERING INFORMATION

Series N.O	Pitch(mm)	Contact Type	Position	Contact length(mm)	Contact Plating	Glod Plating	Dip Type
HLAL -	*	2	*	*	*	*	D1
DIN41612 B Type	3: 2.54 4: 5.08	2:Female	20 10 5	1: 4.0	C: Dip Tin Contact Gold G: Glod	00: G/F 02: 2u" 03: 3u" 05: 5u" 10: 10u" 15: 15u" 30: 30u"	Simple type

Tel: 86-10-57891098 MP :86-13001179378 or 13146881693

Mail: info@hlpint. com or lucyliu0807 @163.com