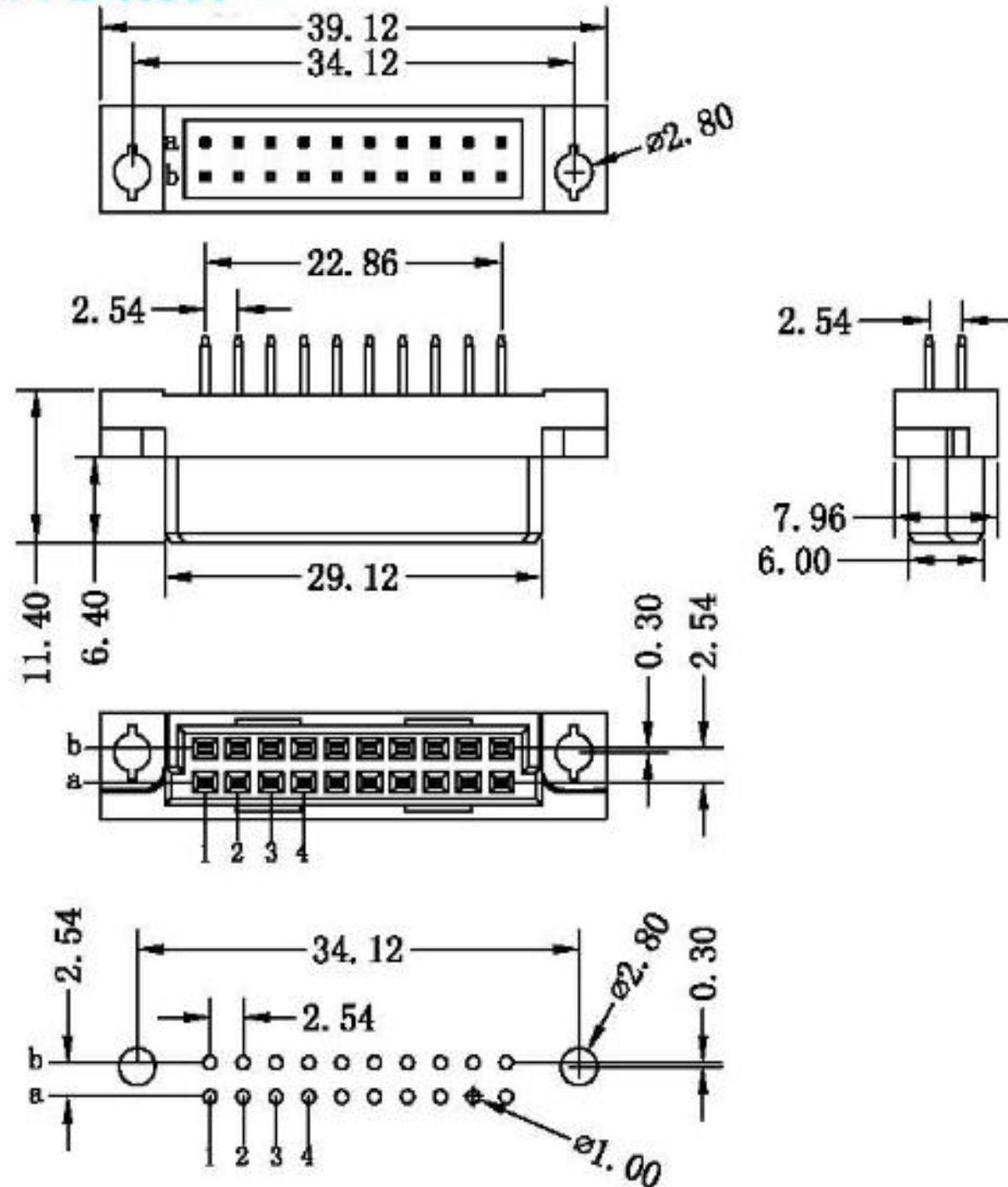


HLAL Series

DIN41612 B Type Female

Drawing NO. : DIN097

UNIT:mm



PCB LAYOUT(RECOMMENDED)

MATERIAL:

Contacts:Brass
Housing:PBT UL 94V-0

ELECTRICAL CHARACTERISTICS:

Current Rating:2 A
Dielectric Withstanding Voltage:AC 1000V
Insulator Resistance:1000 MΩ min
Contact Resistance:30 mΩ max
Operating Temperature:-55° C~+105° C

Pitch	Position	Rows with Contacts	Contact Arrange	Length					
				X	1	2	3	4	5
2.54mm	20	a b							
	10	a -							
5.08mm	10	a b							
	5	a -							

ORDERING INFORMATION

Series N.O	Pitch(mm)	Contact Type	Position	Contact length(mm)	Contact Plating	Glod Plating	Dip Type
HLAL-	*	2	*	*	*	*	D
DIN41612 B Type	3: 2.54 4: 5.08	2:Female	20 10 5	1: 4.0 2: 13.0 3: 15.0 4: 17.0 5: 25.0	C: Dip Tin Contact Gold G: Glod	00: G/F 02: 2u" 03: 3u" 05: 5u" 10: 10u" 15:15u" 30: 30u"	Blank: Dip

Tel: 86-10-57891098 MP :86-13001179378 or 13146881693

Mail: info@hikpint.com or lucyliu0807 @163.com