

HLAL Series

DIN41612 C Type Female

Drawing NO. : DIN075

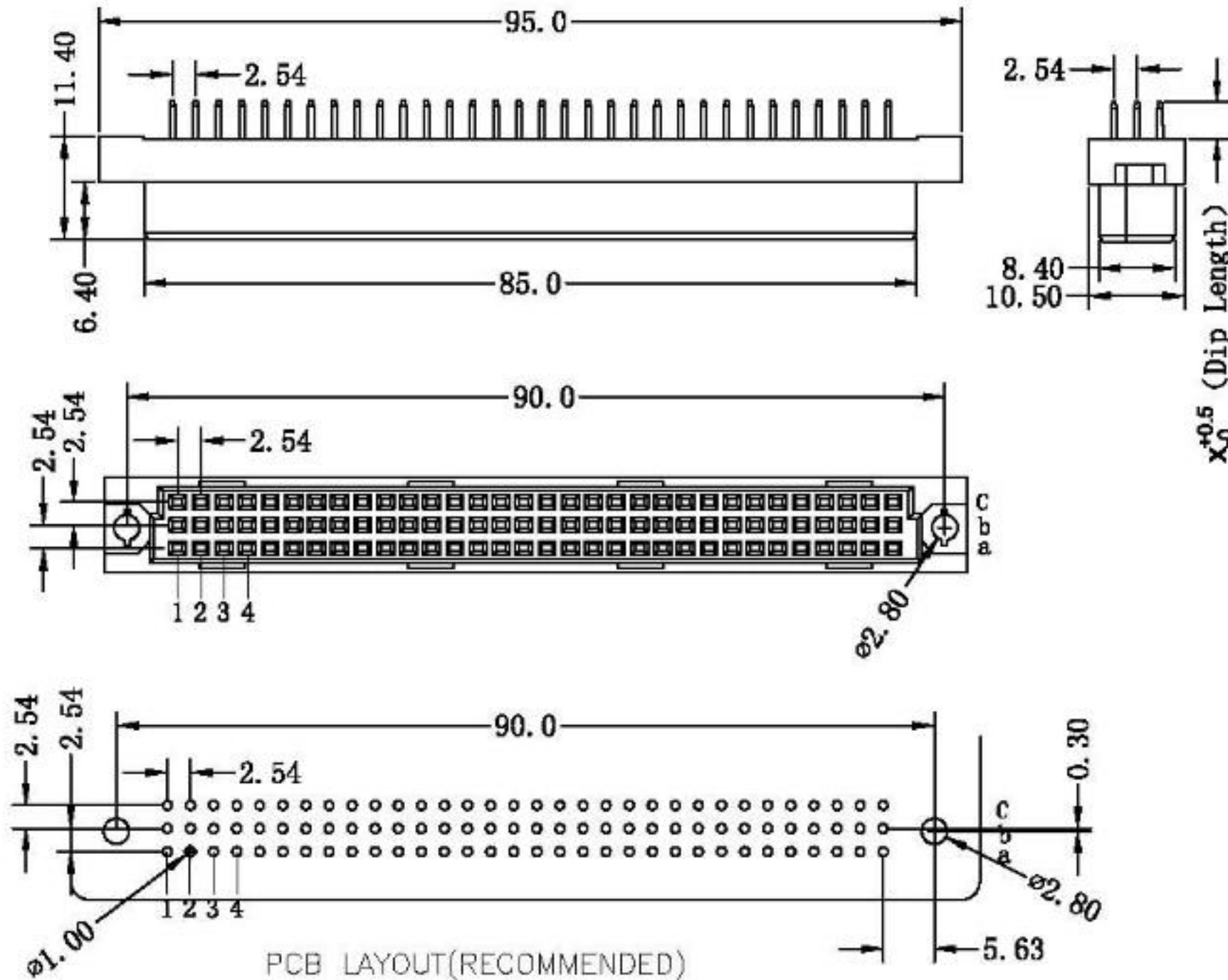
UNIT:mm

MATERIAL:

Contacts:Brass
Housing:PBT UL 94V-0

ELECTRICAL CHARACTERISTICS:

Current Rating:2 A
Dielectric Withstanding Voltage:AC 1000V
Insulator Resistance:1000 MΩ min
Contact Resistance:30 mΩ max
Operating Temperature:-55° C~+105° C



$X_0^{+0.5}$ (Dip Length)

Pitch	Position	Rows with Contacts	Contact Arrange	Length	1	2	3	4	5
				X	4.0	13.0	15.0	17.0	25.0
2.54mm	96	a b c							
	64	a b -							
	64	a - c							
	32	a - -							
5.08mm	48	a b c							
	32	a b -							
	32	a - c							
	16	a - -							

ORDERING INFORMATION

Series N.O	Pitch(mm)	Contact Type	Position	Contact length(mm)	Contact Plating	Glod Plating	Dip Type
HLAL -	*	2	*	*	*	*	D
DIN41612 C Type	1: 2.54 2: 5.08	2:Female	96 64 48 32 16	1: 4.0 2: 13.0 3: 15.0 4: 17.0 5: 25.0	C: Dip Tin Contact Gold G: Glod	00: G/F 02: 2u" 03: 3u" 05: 5u" 10: 10u" 15: 15u" 30: 30u"	Blank: Dip

Tel: 86-10-57891098 MP :86-13001179378 or 13146881693

Mail: info@hlpint. com or lucyliu0807 @163.com