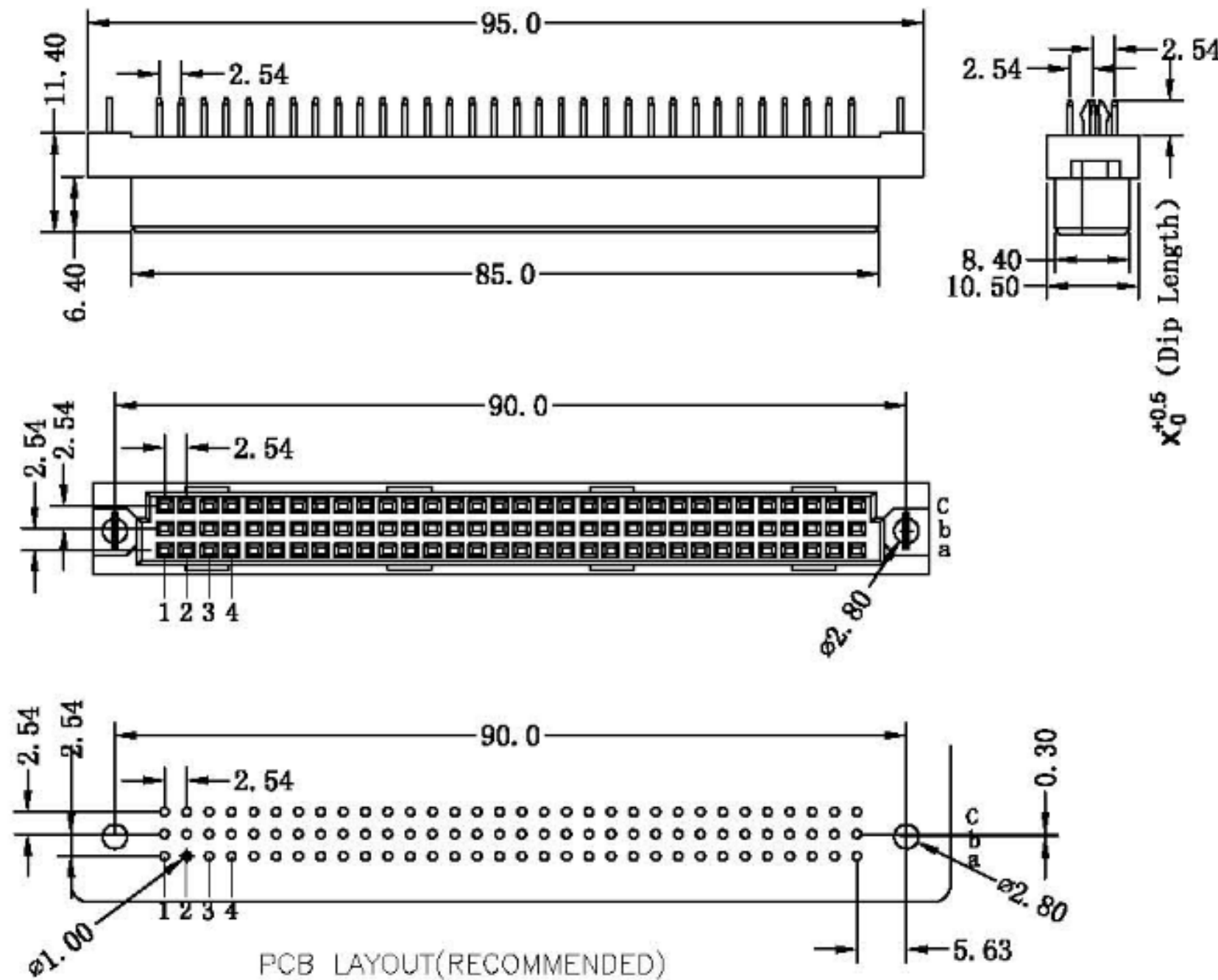


# HLAL Series

## DIN41612 C Type Female

Drawing NO. : DIN108

UNIT:mm



### MATERIAL:

Contacts:Brass

Housing:PBT UL 94V-0

### ELECTRICAL CHARACTERISTICS:

Current Rating:2 A

Dielectric Withstanding Voltage:AC 1000V

Insulator Resistance:1000 M  $\Omega$  min

Contact Resistance:30 m $\Omega$  max

Operating Temperature:-55° C~+105° C

Pitch	Position	Rows with Contacts	Contact Arrange	Length	1	2	3	4	5
				X	4.0	13.0	15.0	17.0	25.0
2.54mm	96	a b c							
	64	a b -							
	64	a - c							
	32	a - -							
5.08mm	48	a b c							
	32	a b -							
	32	a - c							
	16	a - -							

ORDERING INFORMATION

Series N.O	Pitch(mm)	Contact Type	Position	Contact length(mm)	Contact Plating	Glod Plating	Dip Type	With Lock
<b>HLAL-</b>	<b>*</b>	<b>2</b>	<b>*</b>	<b>*</b>	<b>*</b>	<b>*</b>	<b>D</b>	<b>L1</b>
DIN41612 C Type	1: 2.54 2: 5.08	2:Female	96 64 48 32 16	1: 4.0 2: 13.0 3: 15.0 4: 17.0 5: 25.0	C: Dip Tin Comtact Gold  G: Glod	00: G/F 02: 2u" 03: 3u" 05: 5u" 10: 10u" 15:15u" 30: 30u"	Blank: Dip	L1:With Lock

Tel: 86-10-57891098 MP :86-13001179378 or 13146881693

Mail: info@hikpint. com or lucyliu0807 @163.com