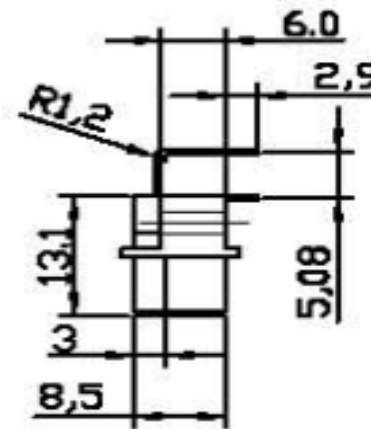
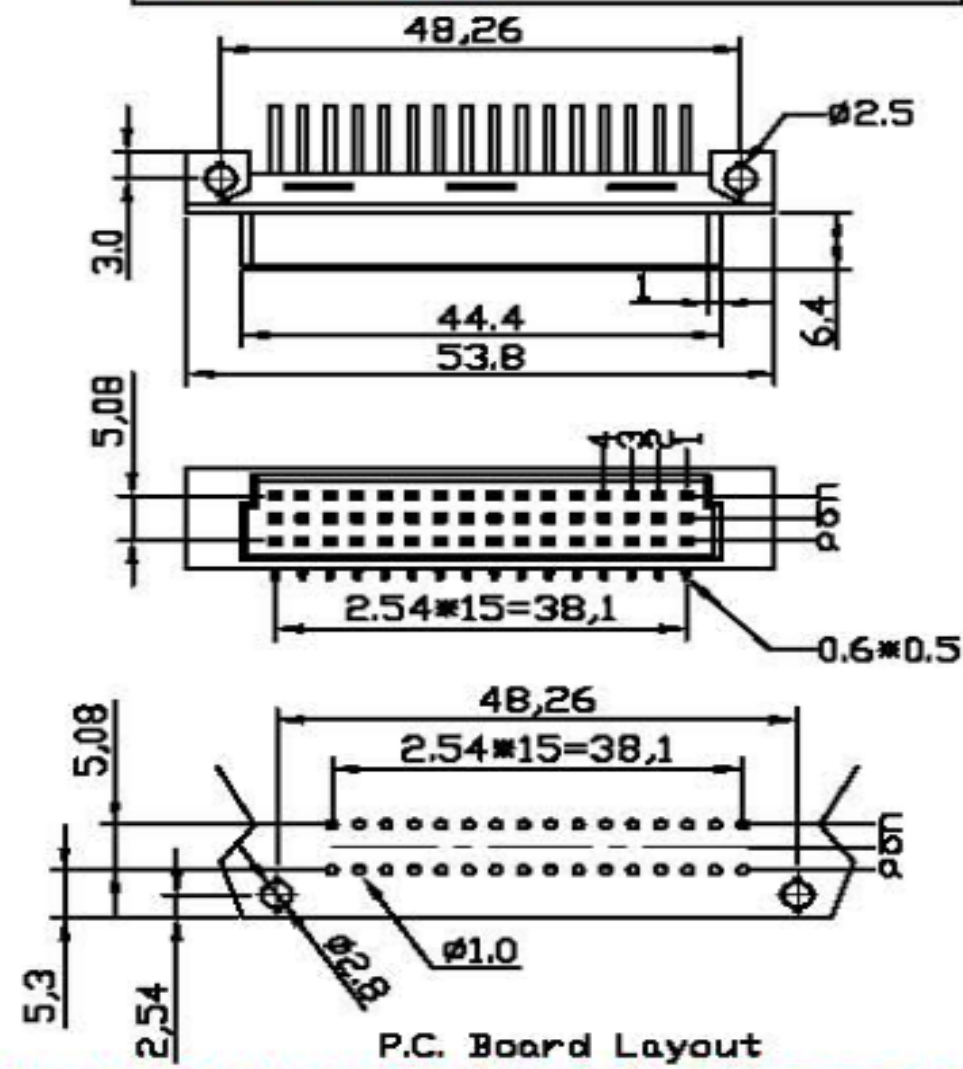


# European Socket Connector

European Socket Series Plug Drawing NO. : DIN003

UNIT:MM



## FEATURES:

- Contact positions:32
- Designed for cable-to-cable and cable-to-PC Board applications
- Available in plug & socket styles
- Terminal option with various types
- Connector and hood sold as complete assembly
- Available in low profile hood styles
- Metal shell provides grounding and shielding capability
- Mates with industry compatible connectors

## MATERIALS:

- Contacts:Phosphor Bronze
- Housing:PBT(UL 94-V0)

## ELECTRICAL CHARACTERISTICS:

- Current rating: 2 Amperes
- Withstanding Voltage:AC 1000V r.m.s
- Insulation Resistance:1000 Megohms Minimum at DC 500V
- Contact Resistance:30 MΩ Max Mated
- Operation Temperature:-55° C~+105° C

## FINISHES:

- Contact:See Ordering Information

# ORDERING INFORMATION EUROPEAN SOCKET SERIES

Series N.O	N.O OF CONTACTS	CONTACT TYPE	INSULATOR COLOR	CONTACT PLATING	CONTACT LENGTH(MM)	FILE NO.
<b>DINR</b>	<b>3 32</b>	<b>S</b>	<b>A</b>	<b>*</b>	<b>E</b>	<b>003</b>
European Socket R TYPE	3Rows-32Pin	P:PLUG S:SOCKET	A:Grey	A:Half gold plated with Tin 1u B:Half gold plated with Tin 3u C:Half gold plated with Tin 5u D:Half gold plated with Tin 10u E:Half gold plated with Tin 15u F:Half gold plated with Tin 30u G:Half gold plated Ni H:Half gold plated Ni 30u I:Ni plated all J:Source material k:Half gold plated with Matte Tin 1u L:Gold plated all 1u M:Gold plated all 30u N:Half gold plated with Matte Tin 15u O:Half gold plated with Matte Tin 30u P: Half gold plated Ni 15u Q:Half gold plated with Tin full 15u	A:13MM B:15MM C:17MM D:4.0MM E:2.9MM F:3.5MM J:12.6MM H:3.4MM I:3.9MM	003

Tel: 86-10-57891098 MP :86-13001179378 or 13146881693

Mail: info@hlkpint.com or lucyliu0807@163.com