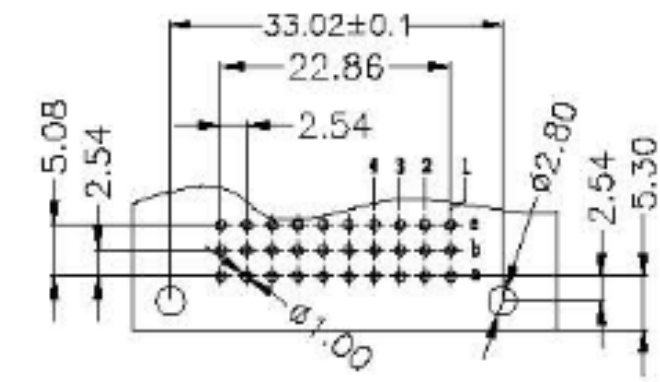
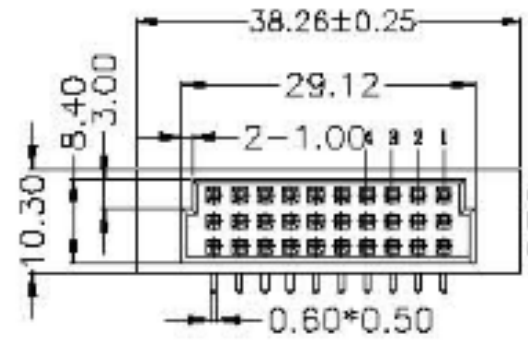
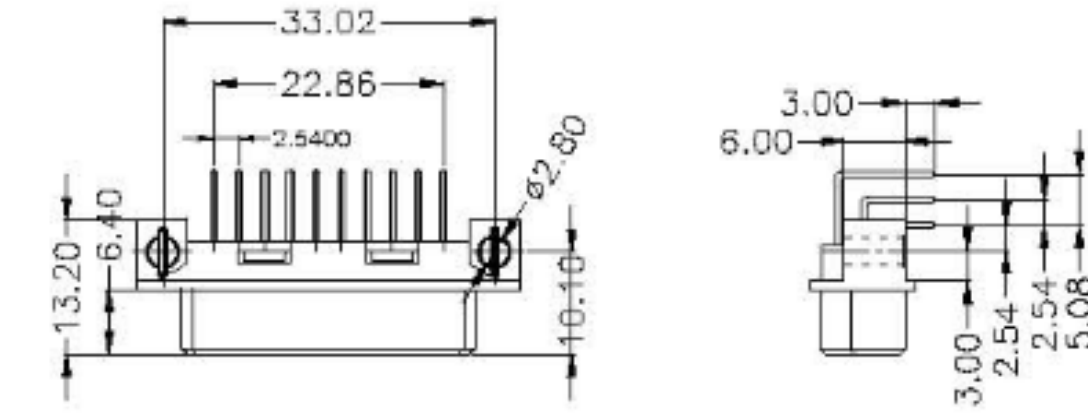


HLAL Series

DIN41612 R Type Female

Drawing NO. : DIN149-32

UNIT:mm



PCB LAYOUT(RECOMMENDED)
(TOP VIEW TOL : ± 0.05)

MATERIAL:

Contacts:Brass
Housing:PBT UL 94V-0

ELECTRICAL CHARACTERISTICS:

Current Rating:2 A
Dielectric Withstanding Voltage:AC 1000V
Insulator Resistance:1000 M Ω min
Contact Resistance:20 m Ω max
Operating Temperature:-55 $^{\circ}$ C~+105 $^{\circ}$ C

Pitch	Position	Rows with Contacts	Contact Arrange
2.54	30	A B C	
	20	A - C	
	10	A - -	
5.08	15	A B C	
	10	A - C	
	5	A - -	

ORDERING INFORMATION

Series N.O	Pitch(mm)	Contact Type	Position	Contact length(mm)	Contact Plating	Glod Plating	Dip Type
HLAL-	*	4	*	*	*	*	D
DIN41612 R Type	1: 2.54 2: 5.08	4:Female	30 20 15 10 5	1:3.0	C: Dip Tin Contact Gold G: Glod	00: G/F 02: 2u" 03: 3u" 05: 5u" 10: 10u" 15:15u" 30: 30u"	Blank: Dip

Tel: 86-10- 57891098 MP :86-13001179378 or 13146881693

Mail: info@hlkpint.com or lucyliu0807@163.com