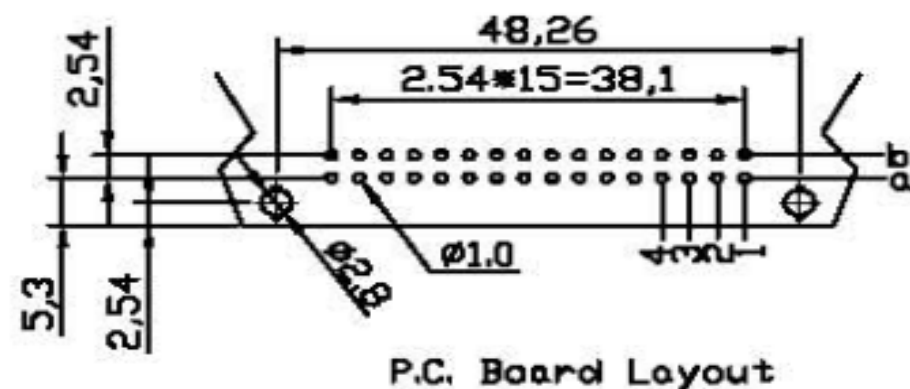
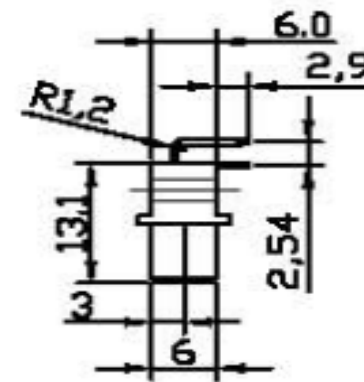
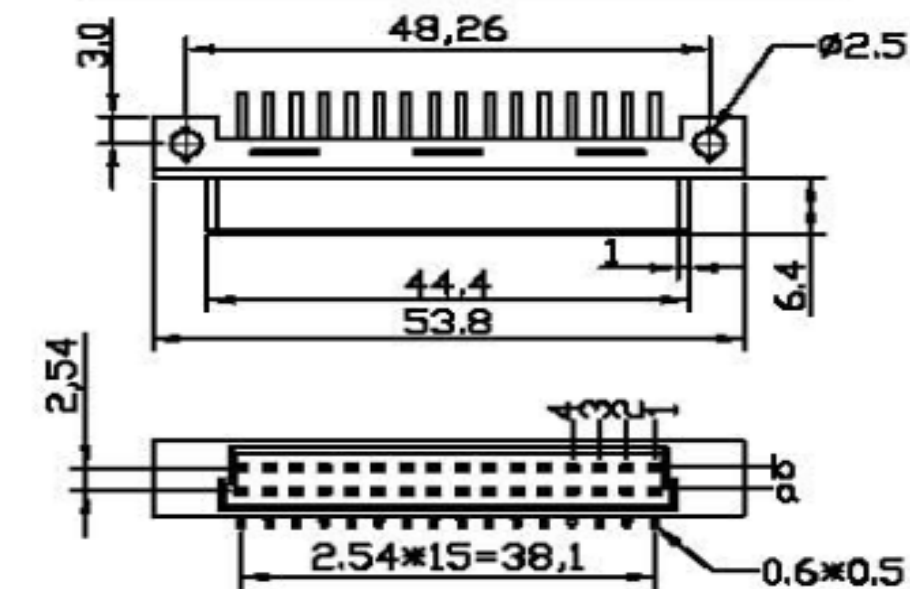
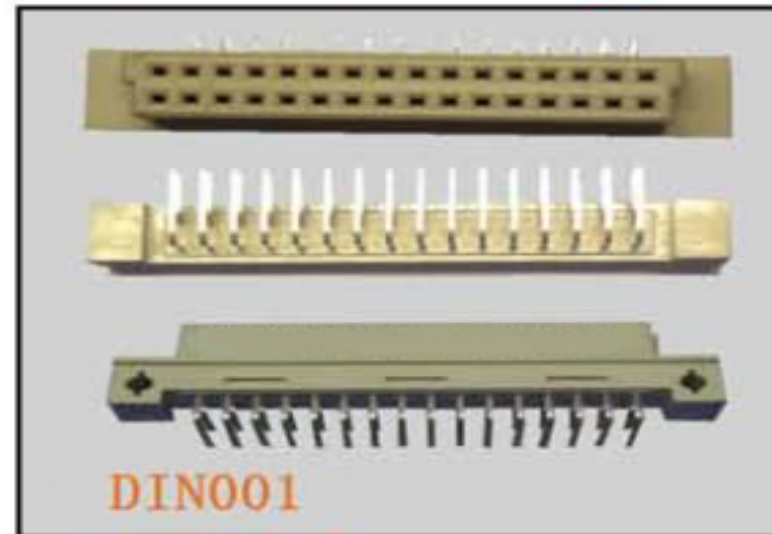


European Socket Connector

European Socket Series Plug Drawing NO. : DIN001

UNIT:MM



FEATURES:

- Contact positions:32
- Designed for cable-to-cable and cable-to-PC Board applications
- Available in plug & socket styles
- Terminal option with various types
- Connector and hood sold as complete assembly
- Available In low profile hood styles
- Metal shell provides grounding and shielding capability
- Mates with industry compatible connectors

MATERIALS:

- Contacts:Phosphor Bronze
- Housing:PBT(UL 94-V0)

ELECTRICAL CHARACTERISTICS:

- Current rating: 2 Amperes
- Withstanding Voltage:AC 1000V r.m.s
- Insulation Resistance:1000 Megohms Minimum at DC 500V
- Contact Resistance:30 M Ω Max Mated
- Operation Temperature:-55° C~+105° C

FINISHES:

- Contact:See Ordering Information

ORDERING INFORMATION EUROPEAN SOCKET SERIES

Series N.O	N.O OF CONTACTS	CONTACT TYPE	INSULATOR COLOR	CONTACT PLATING	CONTACT LENGTH(MM)	FILE NO.
DINR	2 32	S	A	*	E	001
European Socket R TYPE	2Rows-32Pin	P:PLUG S:SOCKET	A:Grey	A:Half gold plated with Tin 1u B:Half gold plated with Tin 3u C:Half gold plated with Tin 5u D:Half gold plated with Tin 10u E:Half gold plated with Tin 15u F:Half gold plated with Tin 30u G:Half gold plated Ni H:Half gold plated Ni 30u I:Ni plated all J:Source material k:Half gold plated with Matte Tin 1u L:Gold plated all 1u M:Gold plated all 30u N:Half gold plated with Matte Tin 15u O:Half gold plated with Matte Tin 30u P: Half gold plated Ni 15u Q:Half gold plated with Tin full 15u	A:13MM B:15MM C:17MM D:4.0MM E:2.9MM F:3.5MM J:12.6MM H:3.4MM I:3.9MM	001

Tel: 86-10- 57891098 MP :86-13001179378 or 13146881693

Mail: info@hlkpint. com or lucyliu0807 @163.com