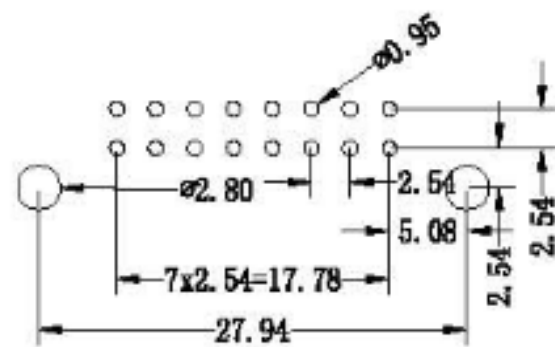
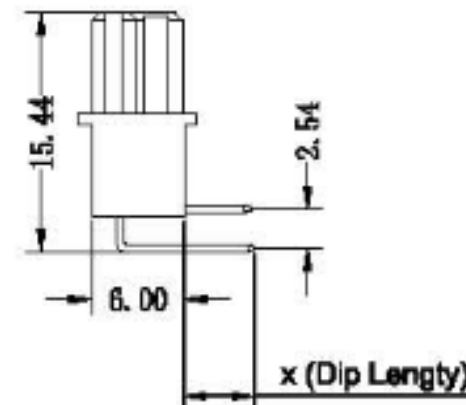
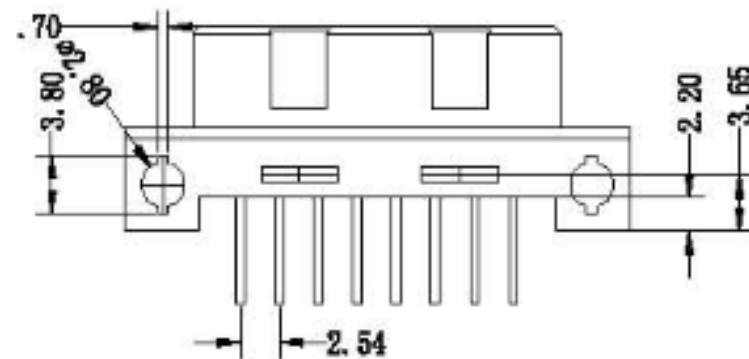
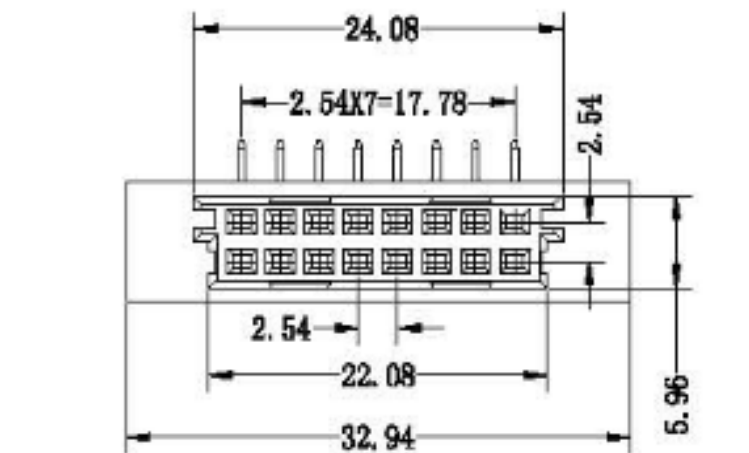


HLAL Series

DIN41612 Q Type Female

Drawing NO. : DIN105-40

UNIT:mm



Recommended P. C. B. Layout

MATERIAL:

Contacts:Brass
Housing:PBT UL 94V-0

ELECTRICAL CHARACTERISTICS:

Current Rating:2 A
Dielectric Withstanding Voltage:AC 1000V
Insulator Resistance:1000 M Ω min
Contact Resistance:20 m Ω max
Operating Temperature:-55° C~+105° C

Pitch	Position	Rows with Contacts	Contact Arrange
2.54mm	16	a b	
	8	a -	
5.08mm	8	a b	

ORDERING INFORMATION

Series N.O	Pitch(mm)	Contact Type	Position	Contact length(mm)	Contact Plating	Glod Plating	Dip Type
HLAL-	*	4	*	*	*	*	D
DIN41612 Q Type	3: 2.54 4: 5.08	4:Female	16 8	1:3.0 3:7.0	C: Dip Tin Comtact Gold G: Glod	00: G/F 02: 2u" 03: 3u" 05: 5u" 10: 10u" 15:15u" 30: 30u"	Blank: Dip

Tel: 86-10- 57891098 MP :86-13001179378 or 13146881693

Mail: info@hlpint. com or lucyliu0807 @163.com