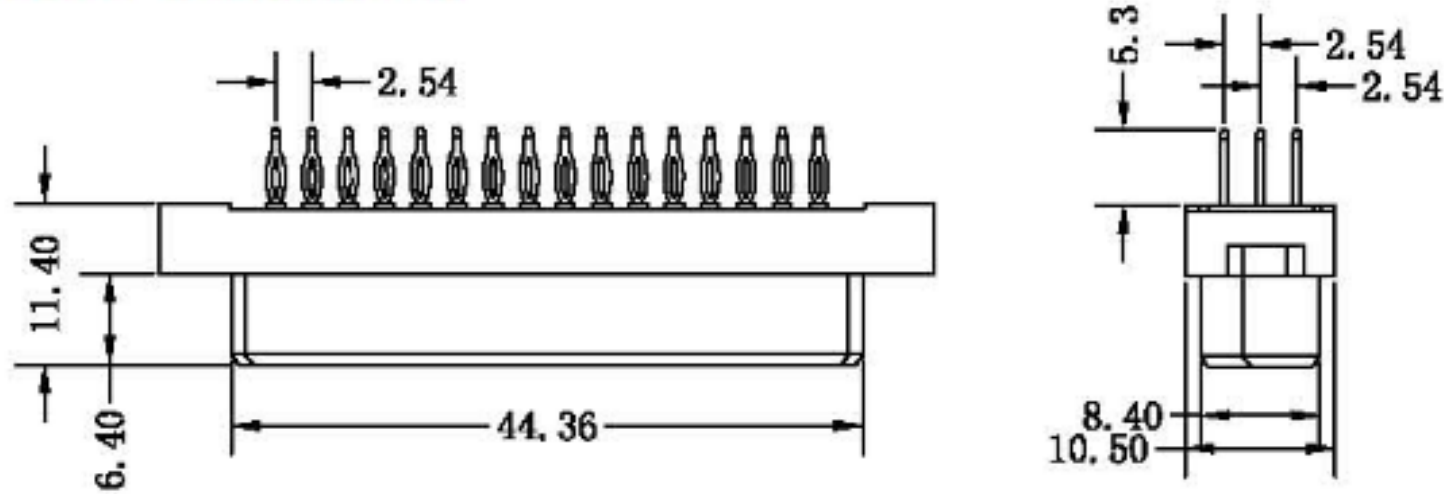


HLAL Series

DIN41612 C Type Female

Drawing NO. : DIN085

UNIT:mm

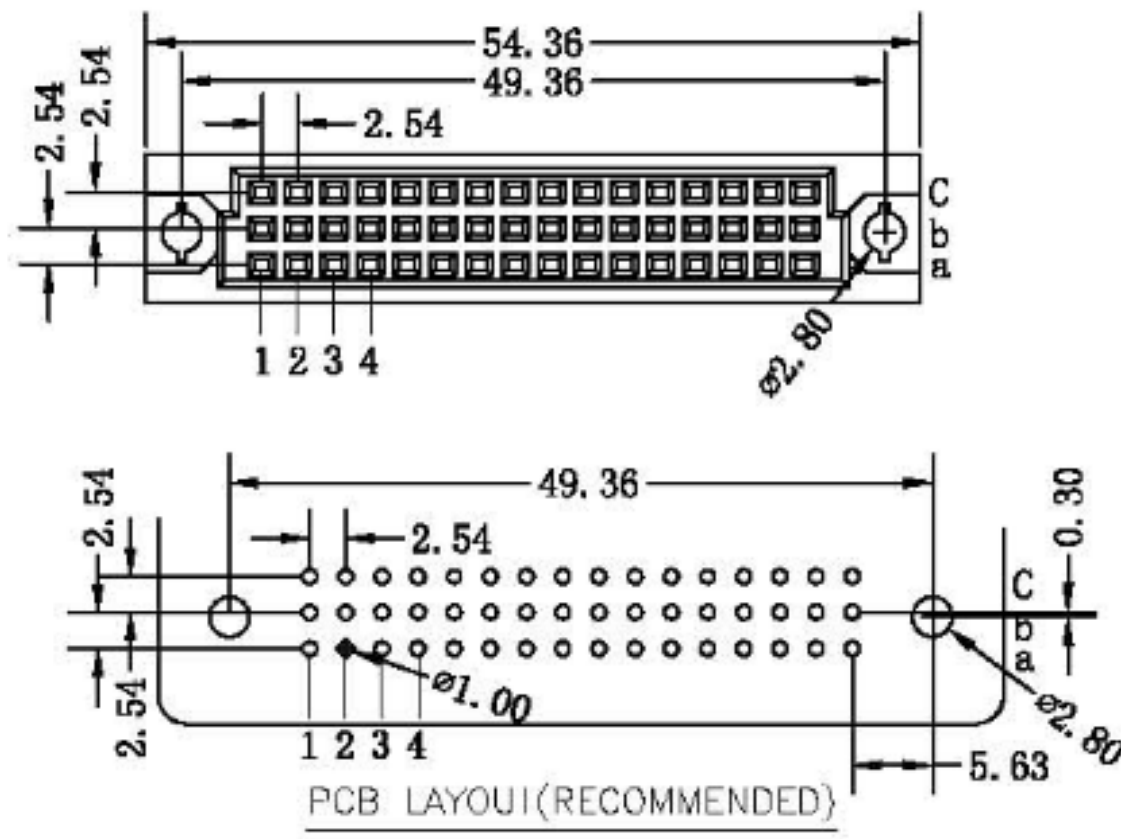


MATERIAL:

Contacts:Brass
Housing:PBT UL 94V-0

ELECTRICAL CHARACTERISTICS:

Current Rating:2 A
Dielectric Withstanding Voltage:AC 1000V
Insulator Resistance:1000 MΩ min
Contact Resistance:30 mΩ max
Operating Temperature:-55° C~+105° C



Pitch	Position	Rows with Contacts	Contact Arrange
2.54mm	48	a b c	
	32	a b -	
	32	a - c	
	16	a - -	
5.08mm	24	a b c	
	16	a b -	
	16	a - c	
	8	a - -	

ORDERING INFORMATION

Series N.O	Pitch(mm)	Contact Type	Position	Contact length(mm)	Contact Plating	Glod Plating	Press Fit Type
HLAL-	*	2	*	1	*	*	P
DIN41612 C Type	1: 2.54 2: 5.08	2:Female	48 32 24 16 8	1: 5.3	C: Dip Tin Contact Gold G: Glod	00: G/F 02: 2u" 03: 3u" 05: 5u" 10: 10u" 15:15u" 30: 30u"	Press Fit

Tel: 86-10- 57891098 MP :86-13001179378 or 13146881693

Mail: info@hlpint. com or lucyliu0807 @163.com