

REV	DATE	DESCRIPTION
B	2023.11.6	

MATERIAL:

Housing: PBT UL 94V-0

Contacts: Brass

ELECTRICAL:

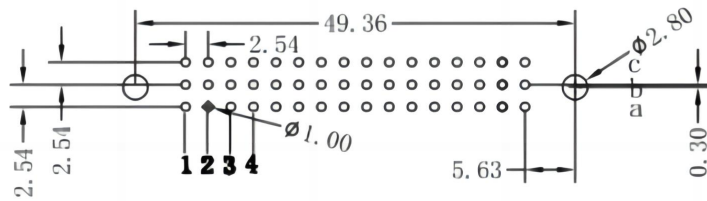
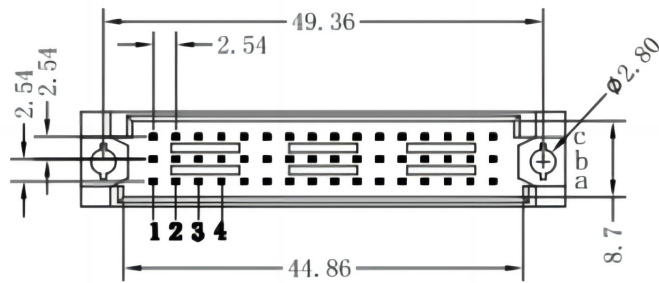
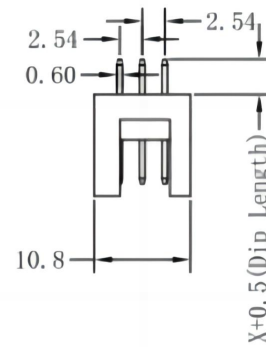
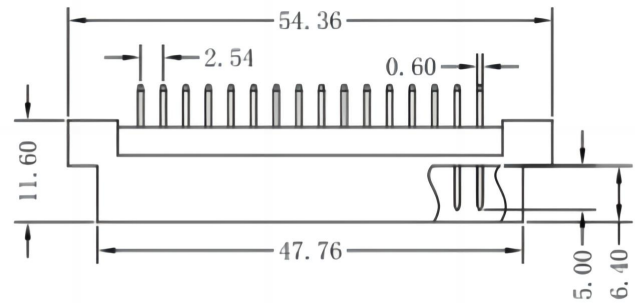
Current rating: 2A

Contact resistance: 30mΩ max

Insulator resistance: 1000 MΩ min

Dielectric withstanding voltage: 1000V AC

Operating temperature: -55° C to +125° C



PCB LAYOUT(RECOMMENDED)

HLAL - * 5 * * * * P B
 1: 2.54mm 2: 5.08mm
 3: Male
 Position: 48 32 24 16 8
 Dip Length: X (mm)
 1: 4.0 2: 13.0 3: 15.0 4: 17.0 9: 25.0
 B (Blank): without lock
 D: DIP
 00: G/F 02: 2u" 03: 3u"
 05: 5u" 10: 10u" 15: 15u" 30: 30u"
 C: Dip Tin Contact Gold
 G: Gold

Pitch	Position	Rows with Contacts	Contact Arrange
2.54mm	48	a b c	
	32	a b -	
	32	a - c	
	16	a - -	
5.08mm	24	a b c	
	16	a b -	
	16	a - c	
	8	a - -	

UNIT : mm

Beijing Hongli Kunpeng
International Trade Co., LTD

MODEL NAME:
DIN41612 348 Straight male
DIP without harpoon

SELECT	1	2	3	EXTRA
TOL			✓	
DIM	0.000	0.05	0.05	0.10
	0.00	0.10	0.15	0.20
	0.0	0.15	0.25	0.30
	0	0.25	0.30	0.40
ANGLE	1.0°	3.0°	5.0°	✓

PART NO. HLAL- *3***DB	FILE NO. DIN078-48DB
APPROVED BY:	SCALE:
CHECKED BY:	DATE : 2010-6-18
DRAW BY: jenny	