



鸿利鲲鹏
Hongli Kunpeng

DIN41612/IEC603-2

欧式连接器

contents

Product Description	1
Naming method	2
Product performance	3
Selection	4
General contact arrangement	5
DIN41612/IEC603-2 Type B printed circuit board	
Type B welded type	6
half B welded type	8
Type B crimped	10
Half Type B crimped	11
DIN41612/IEC603-2 "C" type printed circuit board	
Type C welded type	12
Half C welded type	14
Type C crimped	16
Half C type crimped.....	17
DIN41612/IEC603-2 "Q" printed circuit board	
Q welded type	18
Half Q welded type	20
Q type crimped	22
Half Q crimped	23
DIN41612/IEC603-2 R type printed circuit board	
R welded type.....	24
half R welded type	26
R type crimped	28
half R crimp type.....	29

Beijing Hongli Kunpeng International TradeCo.,Ltd.

Tel: 86-10-57891098 MP: 86-13001179378 or 13146881693
Mail: info@hlkpint.com or lucyliu0807@163.com



鸿利鲲鹏
Hongli Kunpeng

DIN41612/IEC603-2

欧式连接器

European
connector

DIN41612/IEC603-2 Product description

This is a new type of European connector, in full compliance with DIN41612/IEC603-2 technical requirements, provides a complete set of connectors, with a standard contact center distance contact arrangement form and universal mounting size.

Various contact sizes and current load capacities are combined in standard connector housing to provide a complete integrated modular packaging system. DIN41612/IEC603-2 type products provide a variety of connectors to meet the requirements of different electronic and electrical components.

Features and advantages

I Unidirectional connection

This product can eliminate the problems caused by deformation and different thickness of the board surface.

I High density

A housing can accommodate 96 contacts at 2.54 pitch of the grille.

I High reliability

Dual-ray metal-to-metal polarized contacts prevent misfit connectors.

This connector is widely used in telecommunications, instruments, computers and control systems.

Beijing Hongli Kunpeng International TradeCo., Ltd.

Tel: 86-10-57891098 MP: 86-13001179378 or 13146881693
Mail: info@hlkpint.com or lucyliu0807@163.com



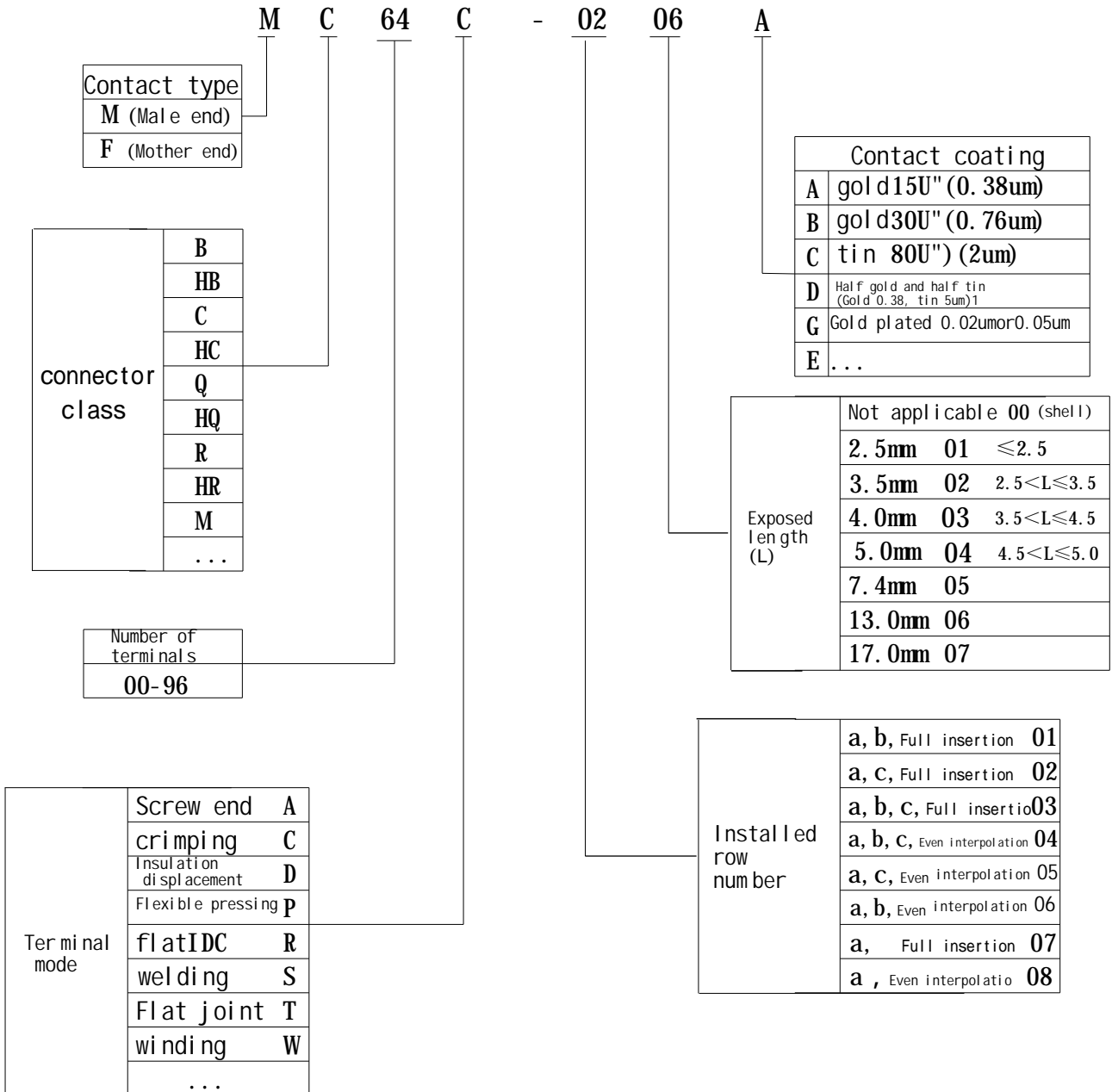
鸿利鲲鹏
Hongli Kunpeng

DIN41612/IEC603-2

欧式连接器

European connector

Naming method



Note: 1. Mark "DX" with guide pin, and mark "L" with extension pin.

Beijing Hongli Kunpeng International TradeCo., Ltd.

Tel: 86-10-57891098 MP: 86-13001179378 or 13146881693
Mail: info@hlkpint.com or lucyliu0807@163.com



鸿利鲲鹏
Hongli Kunpeng

DIN41612/IEC603-2

欧式连接器

European connector

Product specifications and performance

Number of series contacts and rows	Contact No.		1	2	3	4	5	6	7	8	...	25	26	27	28	29	30	31	32	
	B Type 64 pin Row a	b	x	x	x	x	x	x	x	x	...	x	x	x	x	x	x	x	x	x
Product structure type	Q Type 64 pin	a	x	x	x	x	x	x	x	x	...	x	x	x	x	x	x	x	x	x
	C Type 96 pin Row a	b	x	x	x	x	x	x	x	x	...	x	x	x	x	x	x	x	x	x
	R Type 96 pin	c	x	x	x	x	x	x	x	x	...	x	x	x	x	x	x	x	x	x
	C Type 64 pin Row a	b	x	x	x	x	x	x	x	x	...	x	x	x	x	x	x	x	x	x
	R Type 64 pin	c	x	x	x	x	x	x	x	x	...	x	x	x	x	x	x	x	x	x
	C Type 32 pin Row a	b	x	x	x	x	x	x	x	x	...	x	x	x	x	x	x	x	x	x
	R Type 32 pin	c	x	x	x	x	x	x	x	x	...	x	x	x	x	x	x	x	x	x
	Note: The pin position of non-standard products can be determined according to customer requirements.																			
	B Type		male	right-angle	female	Straight														
	Q Type		male	Straight	female	right-angle														
C Type		male	right-angle	female	Straight															
R Type		male	Straight	female	right-angle															
machinery Insertion force and pulling force	0.94N/PINmax																			
Service life	More than 250 times																			
dimension Length (tail end)	code: 00、01、02、03、04、05、06、07 (See naming method)																			
electrical Rated current	1.5Aat 20 , 1.0Aat 70																			
Resistance (contact)	20milliohmsmax.																			
Resistance (insulation)	100000M-ohmsmin.																			
Withstand voltage	1000Vrms																			
encapsulation Package pattern	Welded or crimped																			
physics Coating (contact)	Au0.38 μ m ; Au0.76 μ m ; Au0.38 μ m+Tin2 μ m ; Auflash																			
Material (contact)	Phosphor bronze																			
Material (shell)	Glass fiber reinforced PBT, flame retardant grade: UL94V-0																			
Temperature (operating)	-55 ° C to+125 ° C																			
Product Licensing/certification ULFileNumber	E320764																			
Other characteristics Packaging (type)	Blister disc																			

Beijing Hongli Kunpeng International TradeCo.,Ltd.

Tel : 86-10-57891098 MP: 86-13001179378 or 13146881693
Mail : info@hlpint.com or lucyliu0807@163.com



鸿利鲲鹏
Hongli Kunpeng

DIN41612/IEC603-2

欧式连接器

Male connectors conforming to DIN/IEC standards

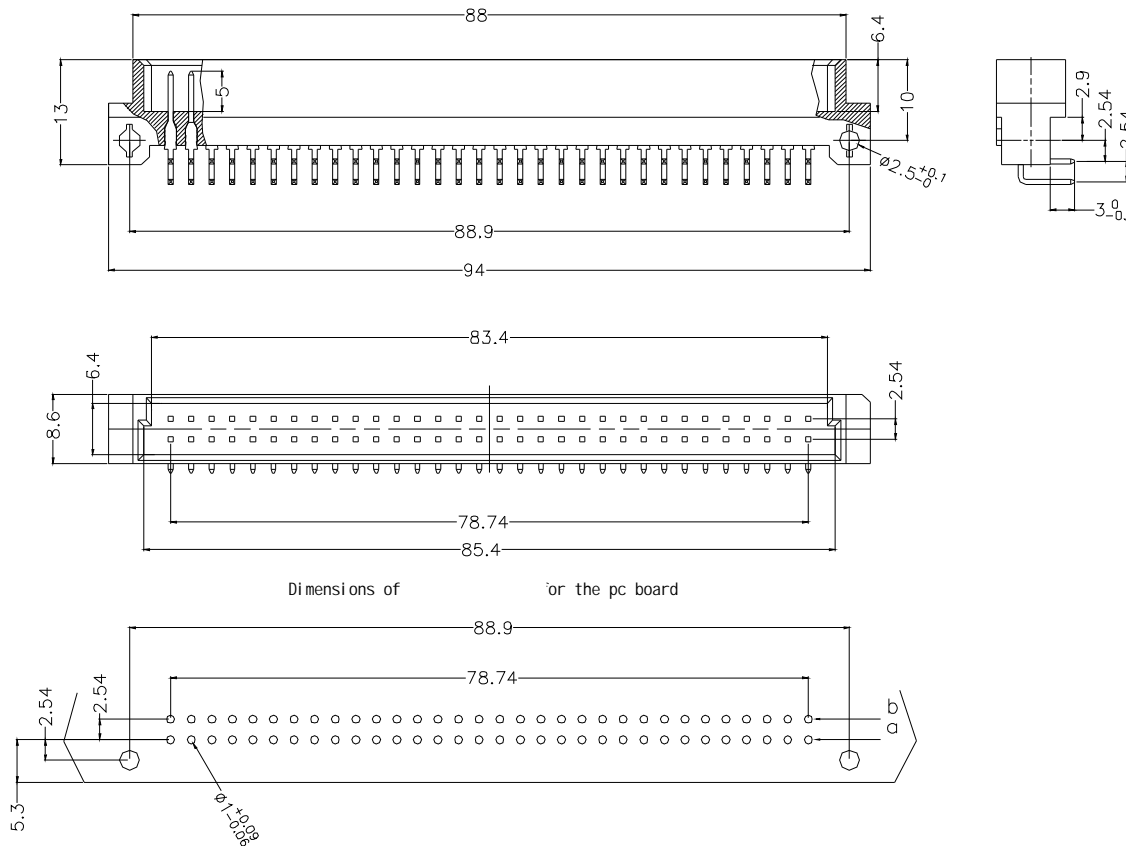
Type B male connector welded type

Number of contacts : 64/32/16
Please consult the manufacturer for connector coding.



Contact surface Deal with	Number of contacts/number of rows filled			
	16/a, Even number	32/ a, b Even number	32/a	64/a, b
See Naming method	MB16S-series	MB32S- series	MB32S- series	MB64S- series
Step length	5.08mm half-load		2.54 mm	

Overall dimensions:



Beijing Hongli Kunpeng International TradeCo., Ltd.

Tel : 86-10-57891098 MP: 86-13001179378 or 13146881693
Mail : info@hlkpi.net.com or lucyliu0807@163.com



鸿利鲲鹏
Hongli Kunpeng

DIN41612/IEC603-2

欧式连接器

Male connectors conforming to DIN/IEC standards

Type B female connector welded type

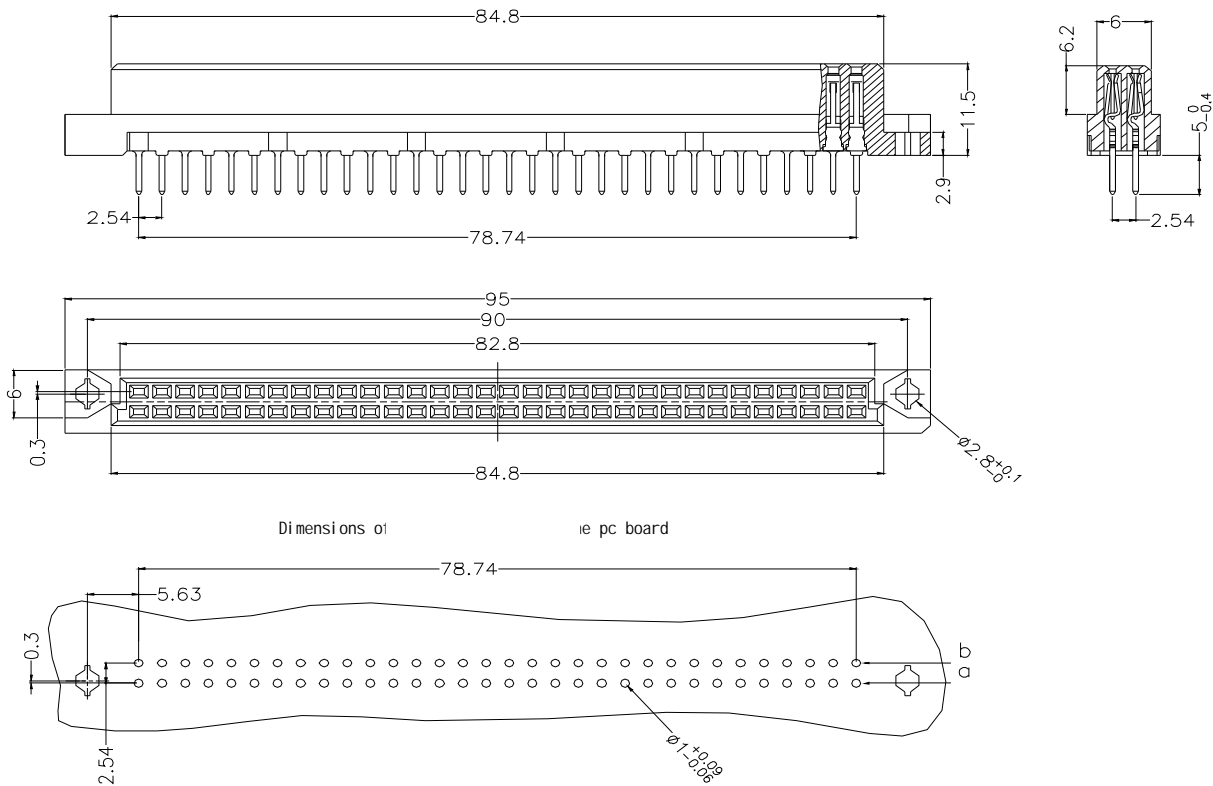
Number of contacts: 64/32/16

Please consult the manufacturer for connector coding.



Contact surface Deal with	Number of contacts/number of rows filled			
	16/a, Even number	32/a, b Evennumber	32/a	64/a, b
See Naming method	FB16S-series FB16W- series	FB32S-series FB32W- series	FB32S- series FB32W- series	FB64S- series FB64W- series
Step length	5.08mm half-load		2.54 mm	

Overall dimensions:



Beijing Hongli Kunpeng International TradeCo.,Ltd.

Tel: 86-10-57891098 MP: 86-13001179378 or 13146881693
Mail: info@hlkpiint.com or lucyliu0807@163.com



鸿利鲲鹏
Hongli Kunpeng

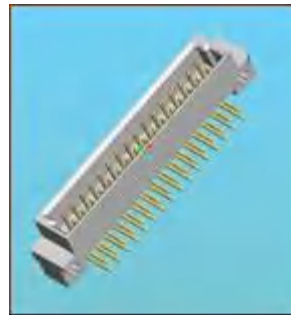
DIN41612/IEC603-2

欧式连接器

Male connectors conforming to DIN/IEC standards

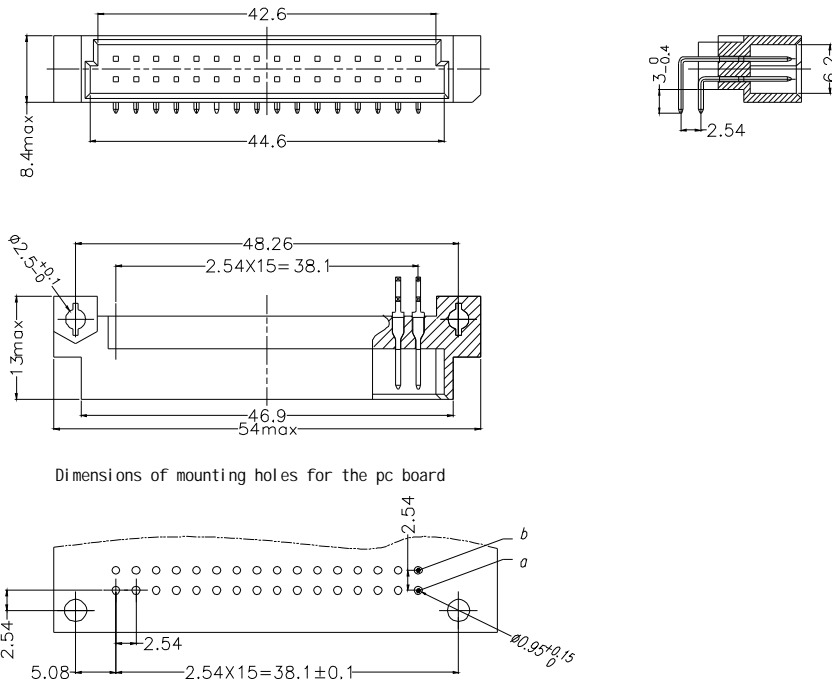
Half B type male connector welded type

Number of contacts : 32/16
Please consult the manufacturer for connector coding.



Contact surface Deal with	Number of contacts/number of rows filled		
	16/a, Even number	16/a	16/a, b
See Naming method	MHB16S- series	MHB16S- series	MHB32S- series
Step length	5.08mm half-load	2.54 mm	

Overall dimensions:



Beijing Hongli Kunpeng International TradeCo., Ltd.

Tel : 86-10-57891098 MP: 86-13001179378 or 13146881693
Mail : info@hlkpiint.com or lucyliu0807@163.com



鸿利鲲鹏
Hongli Kunpeng

DIN41612/IEC603-2

欧式连接器

DIN/IEC compliant female connector

Half B female connector welded type

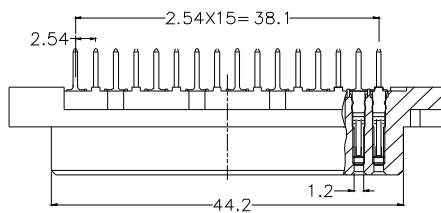
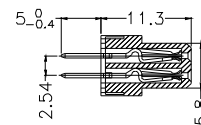
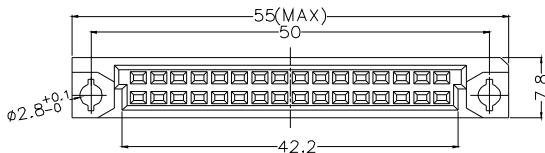
Number of contacts: 32/16

Please consult the manufacturer for connector coding.

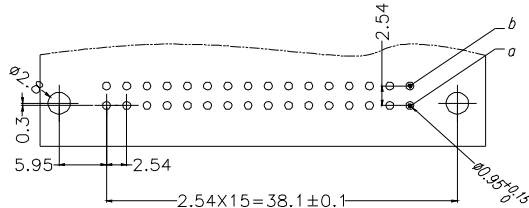


Contact surface Deal with	Number of contacts/number of rows filled		
	16/a Even number	16/a	32/a, b
See Naming method	FHB16S- series	FHB16S- series	FHB32S- series
	FHB16W- series	FHB16W- series	FHB32W- series
Step length	5.08mm half-load		2.54 mm

Overall dimensions:



Dimensions of mounting holes for the pc board



Beijing Hongli Kunpeng International TradeCo., Ltd.

Tel: 86-10-57891098 MP: 86-13001179378 or 13146881693
Mail: info@hlkpint.com or lucyliu0807@163.com



鸿利鲲鹏
Hongli Kunpeng

DIN41612/IEC603-2

欧式连接器

DIN/IEC compliant female connector

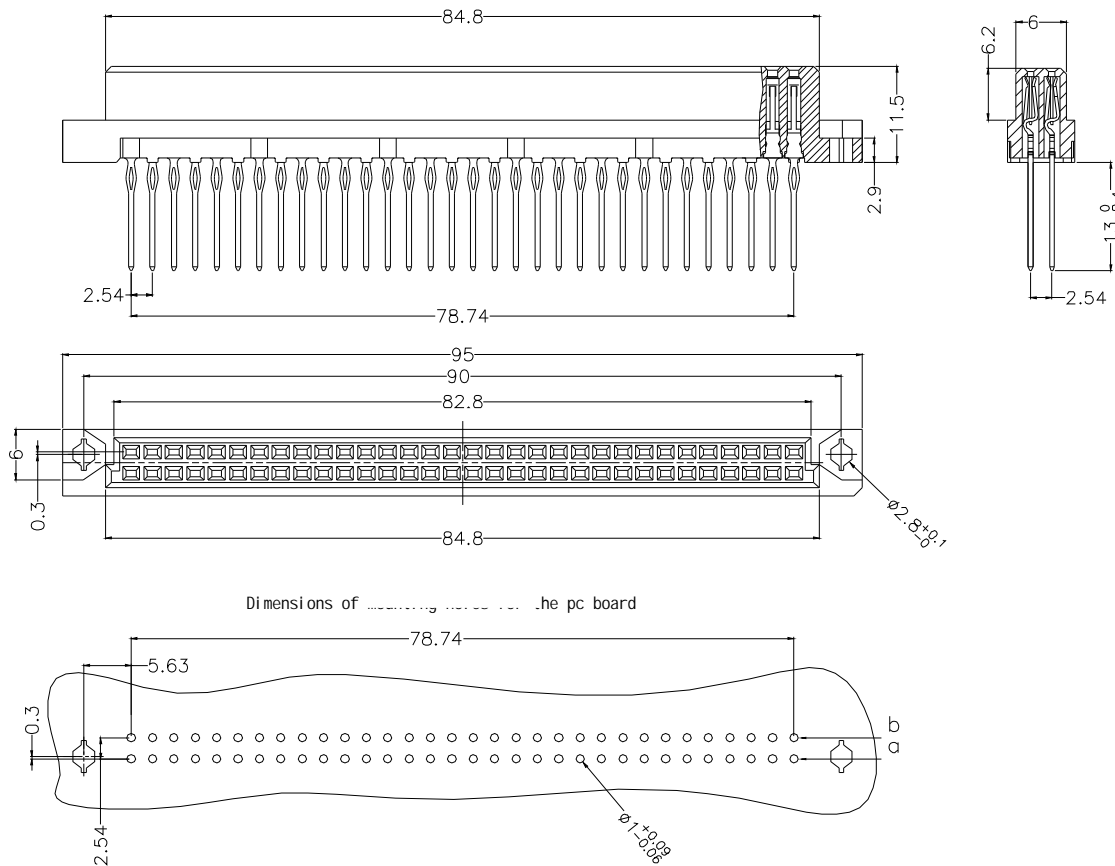
Type B female connector crimped

Number of crimp contacts: 64/32
Selection: Please consult the manufacturer for connector coding.



Contact surface Deal with	Terminal length	Number of contacts/number of rows filled	
		32/a, b Even number	64/a, b
See Naming method	5.0mm	FB32C- series	FB64C- series
	13.0mm		
	17.0mm		
Step length		5.08mm half-load	2.54 mm

Overall dimensions:



Beijing Hongli Kunpeng International TradeCo., Ltd.

Tel: 86-10-57891098 MP: 86-13001179378 or 13146881693
Mail: info@hlkpint.com or lucyliu0807@163.com



鸿利鲲鹏
Hongli Kunpeng

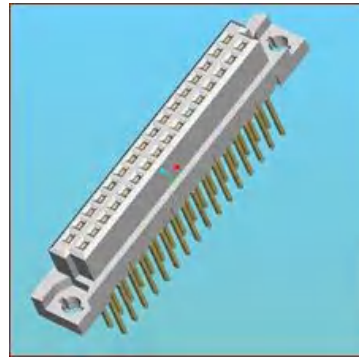
DIN41612/IEC603-2

欧式连接器

DIN/IEC compliant female connector

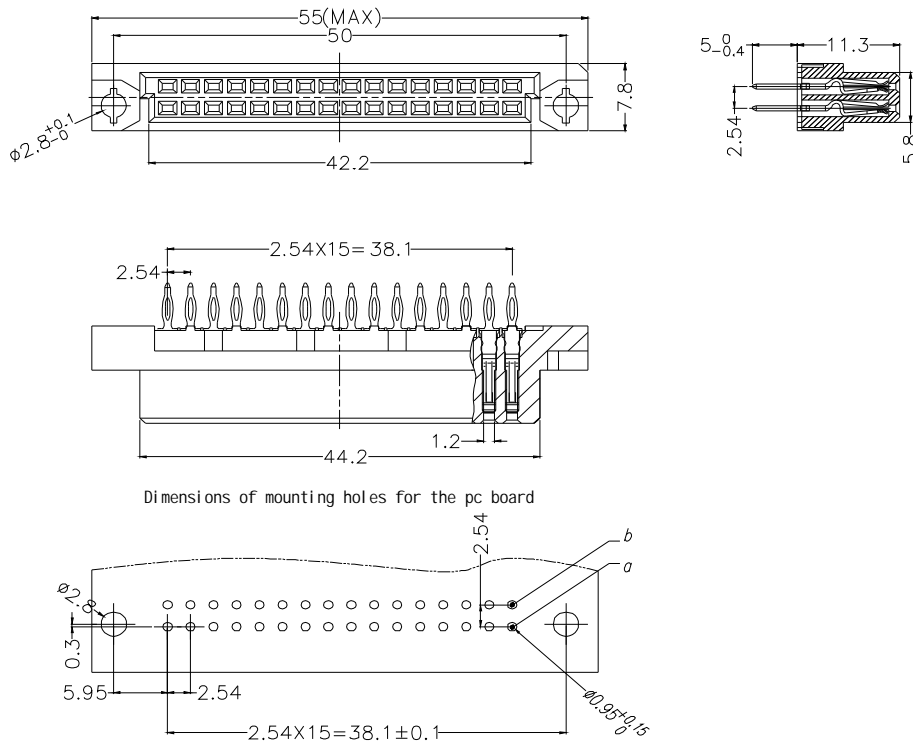
Half type B female connector crimped

Number of crimp contacts: 32/16
Selection: Please consult the manufacturer for code changes of connectors.



Contact surface Deal with	Terminal length	Number of contacts/number of rows filled	
		16/a, b Even number	32/a, b
See Naming method	5.0mm	FHB16C- series	FHB32C- series
	13.0mm		
	17.0mm		
Step length		5.08mm half-load	2.54 mm

Overall dimensions:



Beijing Hongli Kunpeng International TradeCo., Ltd.

Tel: 86-10-57891098 MP: 86-13001179378 or 13146881693
Mail: info@hlkpi nt.com or lucyliu0807@163.com



鸿利鲲鹏
Hongli Kunpeng

DIN41612/IEC603-2

欧式连接器

Male connectors conforming to DIN/IEC standards

Type C male connector welded type

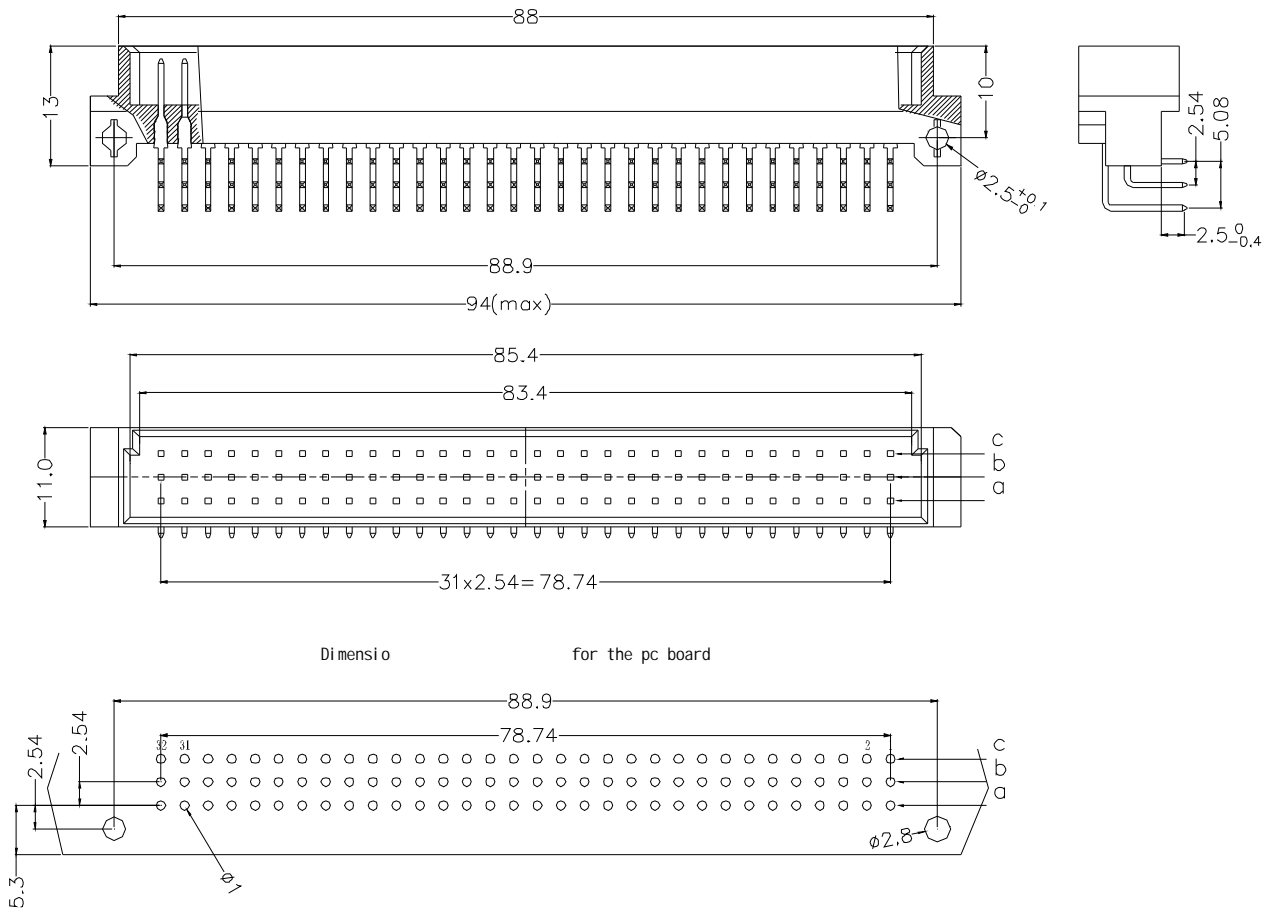
Connectome Number: 96/64/48/32

Please consult the manufacturer for connector coding.



Contact surface Deal with	Number of contacts/number of rows filled					
	32/a, c Even number	48/a, b, c Even number	32/a	64/a, b	64/a, c	96a, b, c
See Naming method	MC32S-series	MC48S-series	MC32S-series	MC64S-series	MC64S-series	MC96S-series
Step length	5.08mm half-load			2.54 mm		

Overall dimensions:



Beijing Hongli Kunpeng International TradeCo., Ltd.

Tel: 86-10-57891098 MP: 86-13001179378 or 13146881693
Mail: info@hlkpint.com or lucyliu0807@163.com



鸿利鲲鹏
Hongli Kunpeng

DIN41612/IEC603-2

欧式连接器

DIN/IEC compliant female connector

Type C female connector welded type

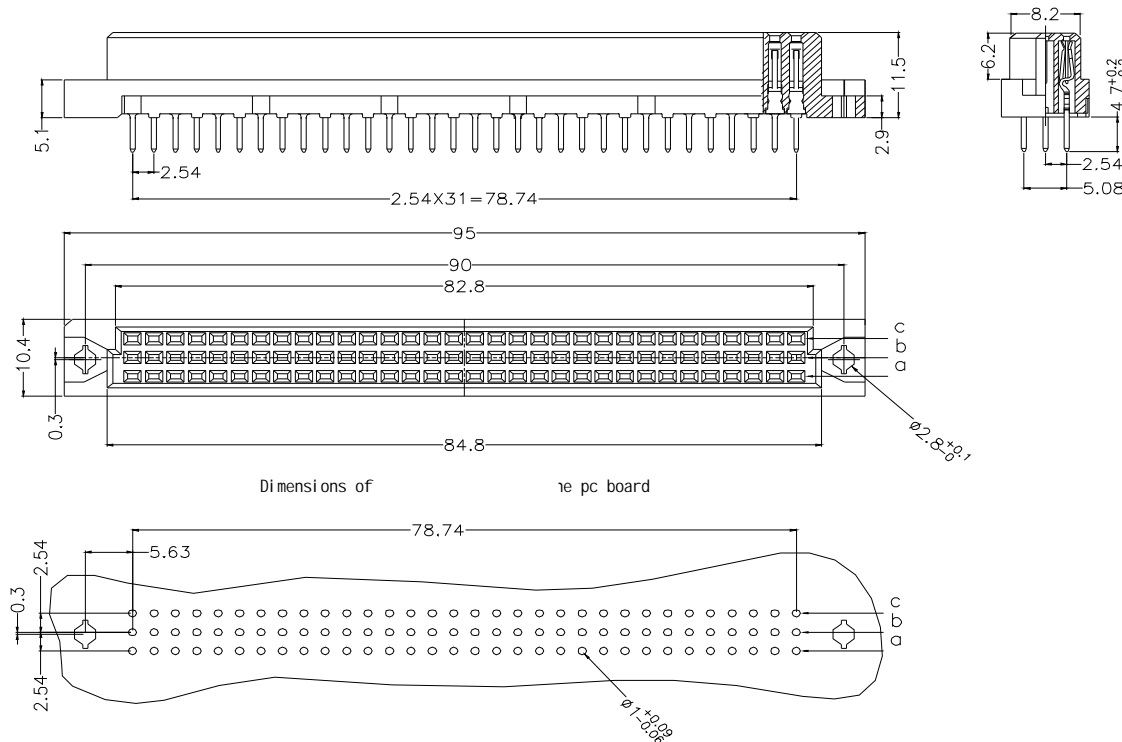
Number of contacts: 96/64/48/32

Selection: Contact body of connector with barb, connector code, please consult the manufacturer.



Contact surface Deal with	Number of contacts/number of rows filled					
	32/a, c Even number	48/a, b, c Even number	32/a	64/a, b	64/a, c	96a, b, c
See Naming method	FC32S-series	FC48S- series	FC32S-series	FC64S- series	FC64S- series	FC96S-series
	FC32W-series	FC48W- series	FC32W- series	FC64W- series	FC64W- series	series FC96W-series
Step length	5.08mm half-load			2.54 mm		

Overall dimensions:



Beijing Hongli Kunpeng International TradeCo., Ltd.

Tel: 86-10-57891098 MP: 86-13001179378 or 13146881693
 Mail: info@hlkpint.com or lucyliu0807@163.com



鸿利鲲鹏
Hongli Kunpeng

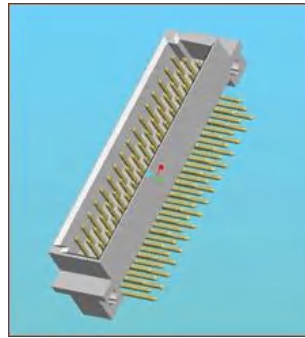
DIN41612/IEC603-2

欧式连接器

Male connectors conforming to DIN/IEC standards

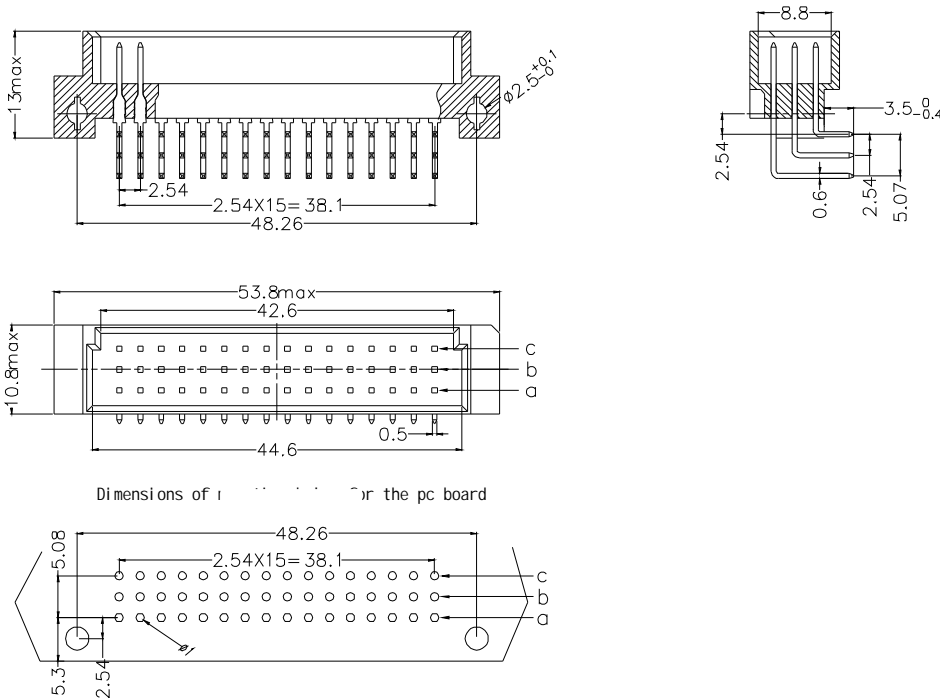
Half C type male connector welded type

Connectome Number: 48/32/24/16
Please consult the manufacturer for connector coding.



Contact surface Deal with	Number of contacts/number of rows filled					
	16/a, c Even number	24/a, b, c Even number	16/a	32/a, b	32/a, c	48a, b, c
See Naming method	MHC16S- series	MHC24S- series	MHC16S- series	MHC32S- series	MHC32S- series	MHC48S- series
Step length	5.08mm half-load			2.54 mm		

Overall dimensions:



Beijing Hongli Kunpeng International TradeCo., Ltd.

Tel: 86-10-57891098 MP: 86-13001179378 or 13146881693
Mail: info@hlkpin.com or lucyliu0807@163.com



鸿利鲲鹏
Hongli Kunpeng

DIN41612/IEC603-2

欧式连接器

DIN/IEC compliant female connector

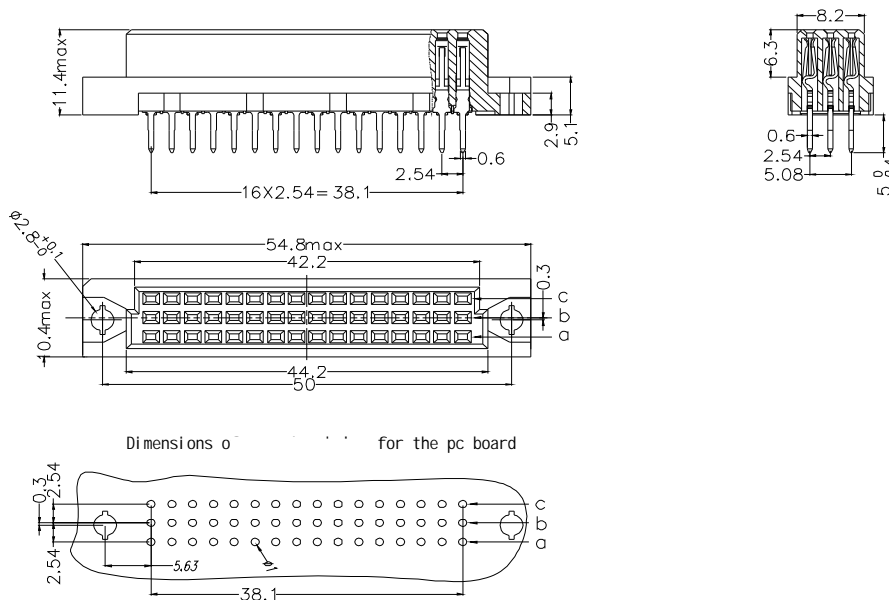
Half C type female connector welded type

Number of contacts: 48/32/24/16
Please consult the manufacturer for connector coding.



Contact surface Deal with	Number of contacts/number of rows filled					
	16/a, c Even number	24/a, b, C Even number	16/a	32/a, b	32/a, c	48a, b, c
See Naming method	FHC16S-series	FHC24S-series	FHC16S-series	FHC32S-series	FHC32S-series	FHC48S-series
	FHC16W-series	FHC24W-series	FHC16W-series	FHC32W-series	FHC32W-series	FHC48W-series
Step length	5.08mm half-load			2.54 mm		

Overall dimensions:



Beijing Hongli Kunpeng International TradeCo., Ltd.

Tel: 86-10-57891098 MP: 86-13001179378 or 13146881693
Mail: info@hlkpi nt.com or Lucyli u0807@163.com



鸿利鲲鹏
Hongli Kunpeng

DIN41612/IEC603-2

欧式连接器

DIN/IEC compliant female connector

Type C female connector crimped

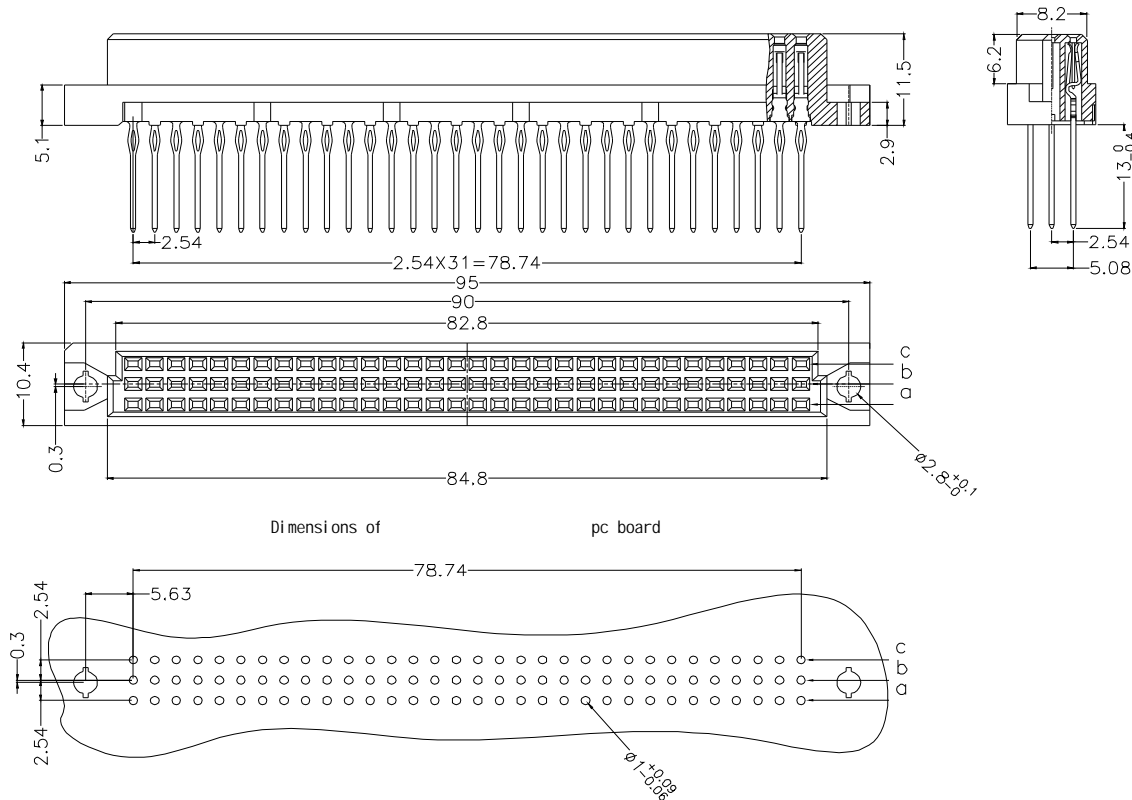
Number of crimp contacts: 96/64/
48/32

Selection: Please consult the
manufacturer for connector
coding.



Contact surface Deal with	Terminal length	Number of contacts/number of rows filled			
		48a, b, c Even number	32/a, b Even number	64a, c	96/a, b
See Naming method	5.0mm	FC48C- series	FC32C- series	FC64C- series	FC96C- series
	13.0mm				
	17.0mm				
Step length		5.08mm half-load		2.54 mm	

Overall dimensions:



Beijing Hongli Kunpeng International TradeCo., Ltd.

Tel : 86-10-57891098 MP: 86-13001179378 or 13146881693
Mail : info@hlkpint.com or Lucyliu0807@163.com



鸿利鲲鹏
Hongli Kunpeng

DIN41612/IEC603-2

欧式连接器

DIN/IEC compliant female connector

Half C female connector crimped type

Number of crimped contacts: 48/32/16

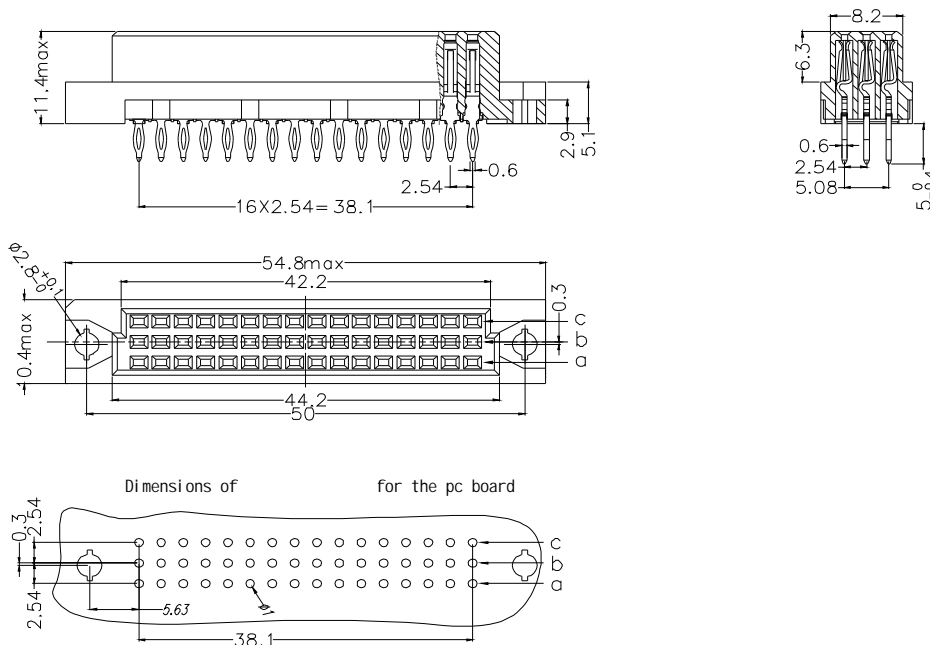
Selection: Please consult the manufacturer for connector coding.



Contact surface Deal with	Terminal length	Number of contacts/number of rows filled		
		16/a, c Even number	32a, c	48/a, b, c
See Naming method	5.0mm	FHC16C- series	FHC32C- series	FHC48C- series
	13.0mm			
	17.0mm			
Step length		5.08mm half-load	2.54 mm	

Selection: Please consult the manufacturer for connector coding.

Overall dimensions:



Beijing Hongli Kunpeng International TradeCo., Ltd.

Tel : 86-10-57891098 MP: 86-13001179378 or 13146881693
Mail : info@hlpint.com or lucyliu0807@163.com



鸿利鲲鹏
Hongli Kunpeng

DIN41612/IEC603-2

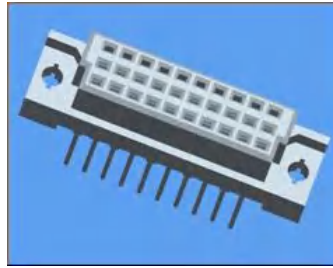
欧式连接器

DIN/IEC compliant female connector

Type 1/3C female connector welded type

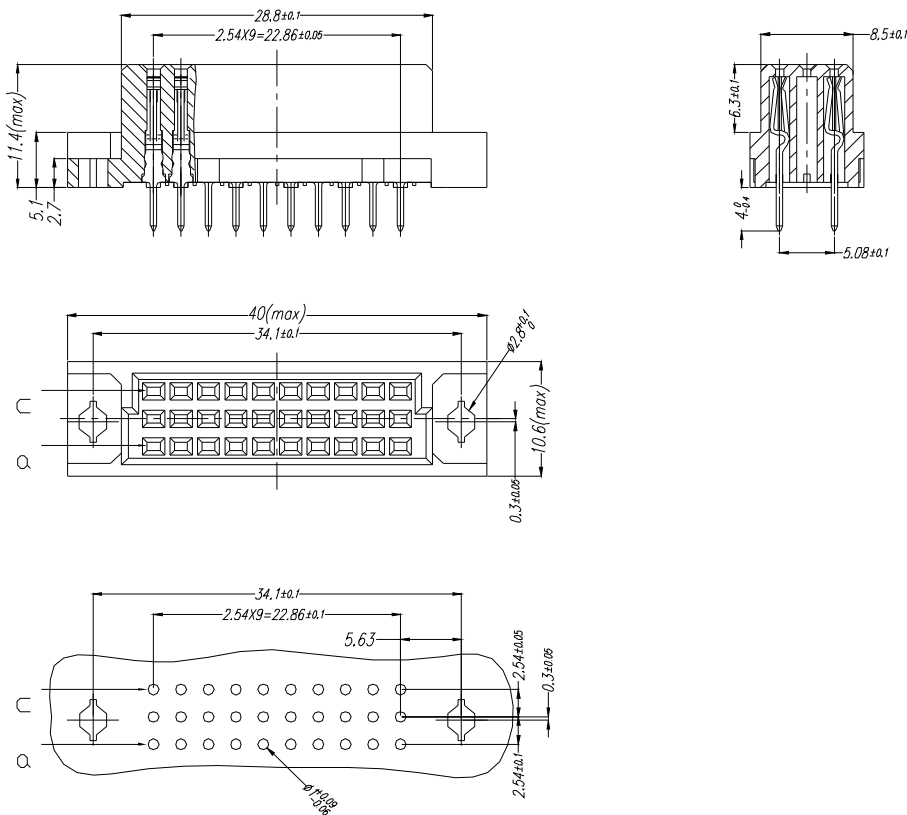
Number of welded contacts: 10/20/30

Selection: Please consult the manufacturer for connector coding.



Contact surface Deal with	Number of contacts/number of rows filled			
	10/a	20/a, b	20/a, c	30a, b, c
See Naming method	F1/3C10S-series	F1/3C20S-series	F1/3C20S-series	F1/3C30S-series
Step length	2.54 mm			

Overall dimensions:



Dimensions of mounting holes for the PC board

Beijing Hongli Kunpeng International TradeCo., Ltd.

Tel: 86-10-57891098 MP: 86-13001179378 or 13146881693
Mail: info@hlkpint.com or lucyliu0807@163.com



鸿利鲲鹏
Hongli Kunpeng

DIN41612/IEC603-2

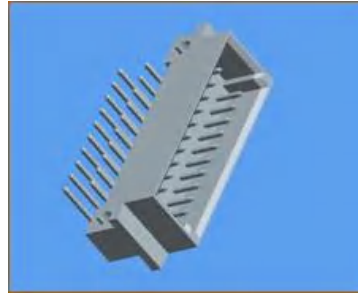
欧式连接器

Male connectors conforming to DIN/IEC standards

Type 1/3C male end connector welded type

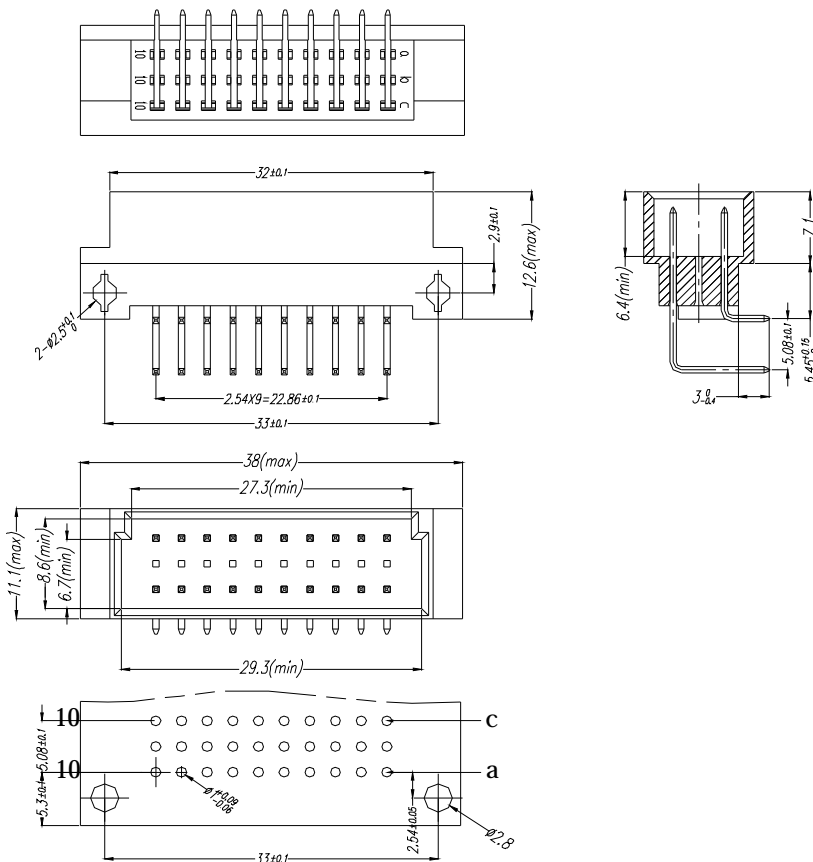
Number of welded contacts: 10/20/30

Selection: Please consult the manufacturer for connector coding.



Contact surface Deal with	Number of contacts/number of rows filled			
	10/a	20/a, b	20/a, c	30a, b, c
See Naming method	M1/3C10S-series	M1/3C20S-series	M1/3C20S-series	M1/3C30S-series
Step length	2.54 mm			

Overall dimensions:



Dimensions of mounting holes for the PC board

Beijing Hongli Kunpeng International TradeCo., Ltd.

Tel: 86-10-57891098 MP: 86-13001179378 or 13146881693
Mail: info@hlkpint.com or lucyliu0807@163.com



鸿利鲲鹏
Hongli Kunpeng

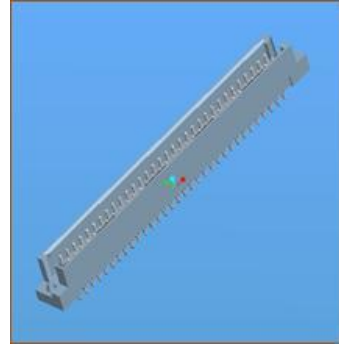
DIN41612/IEC603-2

欧式连接器

Male connectors conforming to DIN/IEC standards

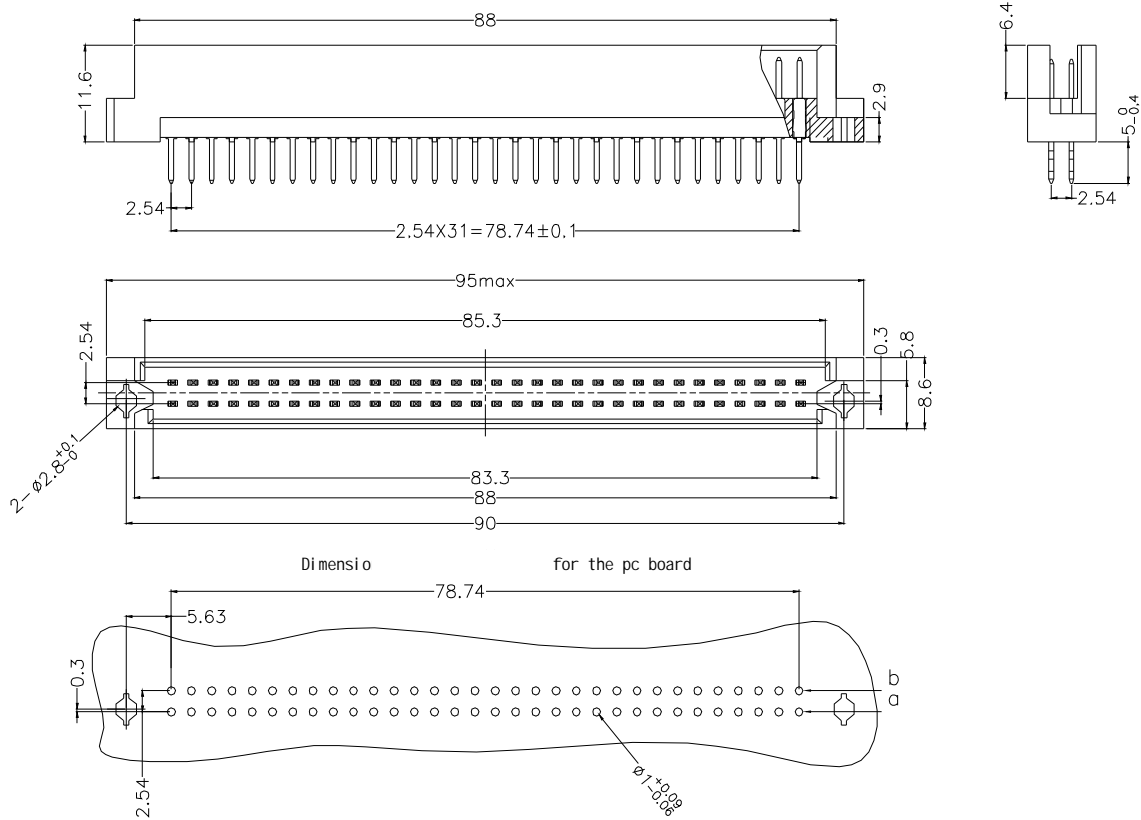
Type Q male connector welded type

Connectome Number: 64/32/16
Please consult the manufacturer for connector coding.



Contact surface Deal with	Number of contacts/number of rows filled			
	16/a, Even number	32/a, b Even number	32/a	64/a, b
See Naming method	MQ16S- series MQ16W- series	MQ32S- series MQ32W- series -	MQ32S- series MQ32W- series	MQ64S- series MQ64W- series
Step length	5.08mm half-load		2.54 mm	

Overall dimensions:



Beijing Hongli Kunpeng International TradeCo., Ltd.

Tel: 86-10-57891098 MP: 86-13001179378 or 13146881693
Mail: info@hlpint.com or lucyliu0807@163.com



鸿利鲲鹏
Hongli Kunpeng

DIN41612/IEC603-2

欧式连接器

Female connectors conforming to DIN/IEC standards

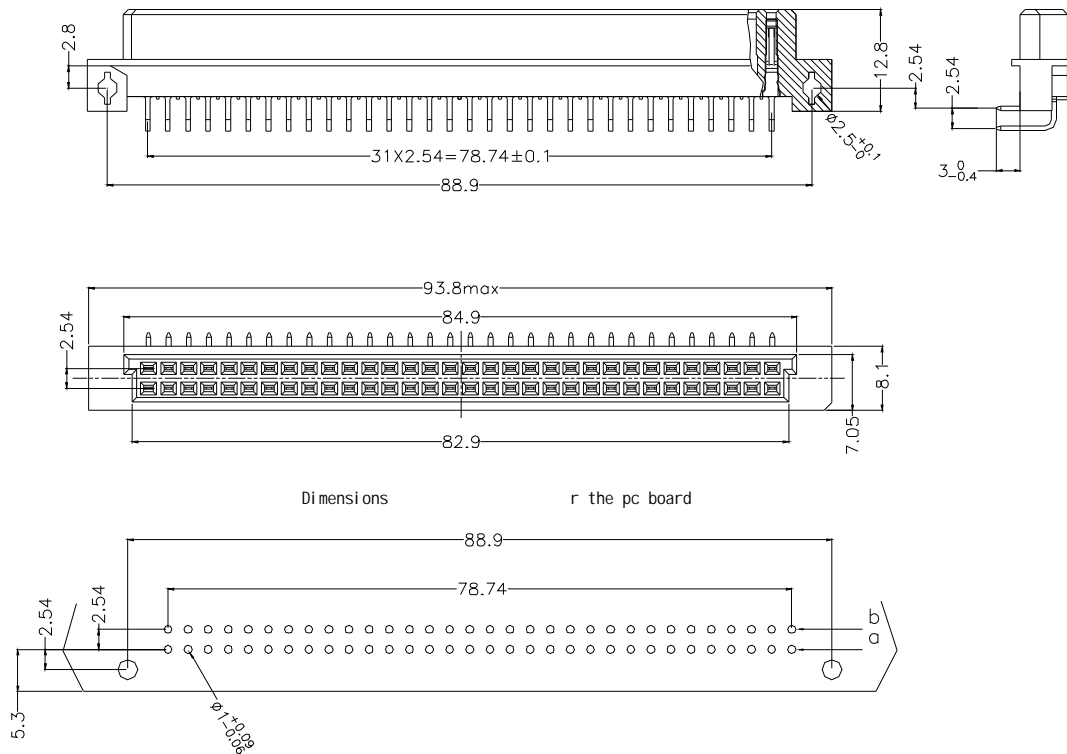
Type Q female connector welded type

Number of contacts: 64/32/16
Please consult the manufacturer for connector coding.



Contact surface Deal with	Number of contacts/number of rows filled			
	16/a, Even number	32/a, b Even number	32/a	64/a, b
See Naming method	FQ16S- series	FQ32S- series	FQ32S- series	FQ64S- series
Step length	5.08mm half-load		2.54 mm	

Overall dimensions:



Beijing Hongli Kunpeng International TradeCo., Ltd.

Tel: 86-10-57891098 MP: 86-13001179378 or 13146881693
Mail: info@hlkpiint.com or lucyliu0807@163.com



鸿利鲲鹏
Hongli Kunpeng

DIN41612/IEC603-2

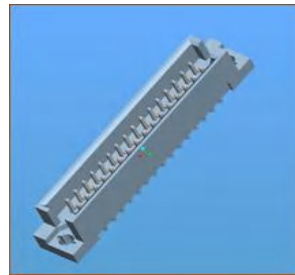
欧式连接器

Male connectors conforming to DIN/IEC standards

Semi-q type male connector welded type

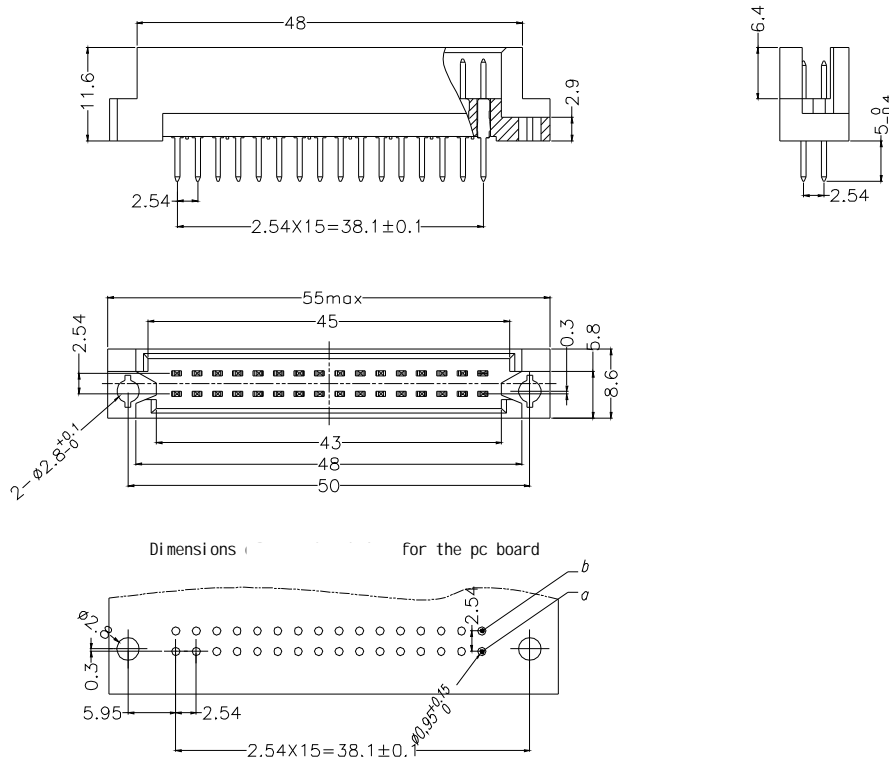
Connectome Number: 32/16

Please consult the manufacturer for connector coding.



Contact surface Deal with	Number of contacts/number of rows filled		
	16/a, Even number	16/a,	32/a
See Naming method	MHQ16S- series MHQ16W- series	MHQ16S- series MHQ16W- series	MHQ32S- series MHQ32W- series
Step length	5.08mm half-load	2.54 mm	

Overall dimensions:



Beijing Hongli Kunpeng International TradeCo., Ltd.

Tel: 86-10-57891098 MP: 86-13001179378 or 13146881693
Mail: info@hlkpi.net.com or lucyliu0807@163.com



鸿利鲲鹏
Hongli Kunpeng

DIN41612/IEC603-2

欧式连接器

DIN/IEC compliant female connector

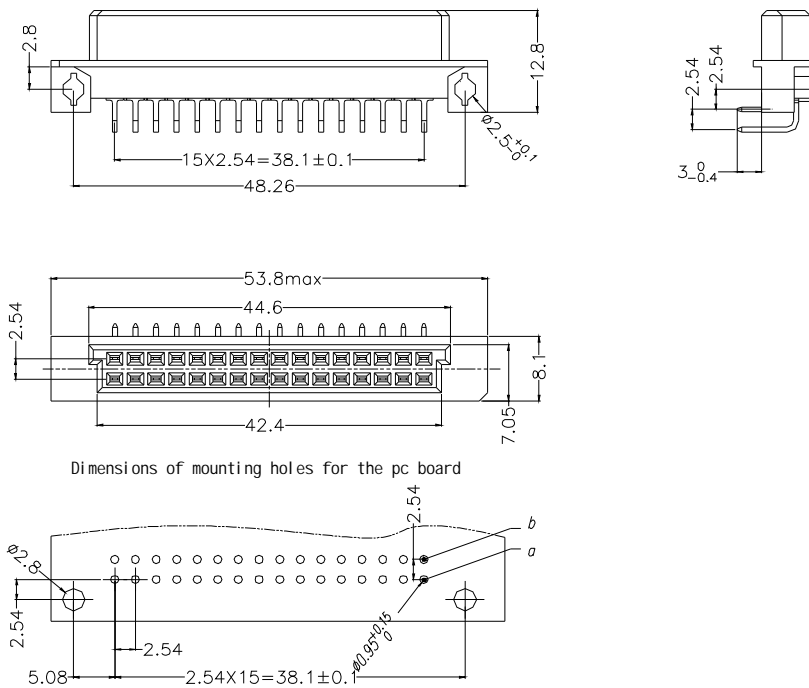
Half Q female connector welded type

Number of contacts: 32/16
Please consult the manufacturer for connector coding.



Contact surface Deal with	Number of contacts/number of rows filled		
	16/a, b Even number	16/a	32/a, b
See Naming method	FHQ16S- series	FHQ16S- series	FHQ32S- series
Step length	5.08mm half-load	2.54 mm	

Overall dimensions:



Beijing Hongli Kunpeng International TradeCo., Ltd.

Tel: 86-10-57891098 MP: 86-13001179378 or 13146881693
Mail: info@hlpint.com or lucyliu0807@163.com



鸿利鲲鹏
Hongli Kunpeng

DIN41612/IEC603-2

欧式连接器

Male connectors conforming to DIN/IEC standards

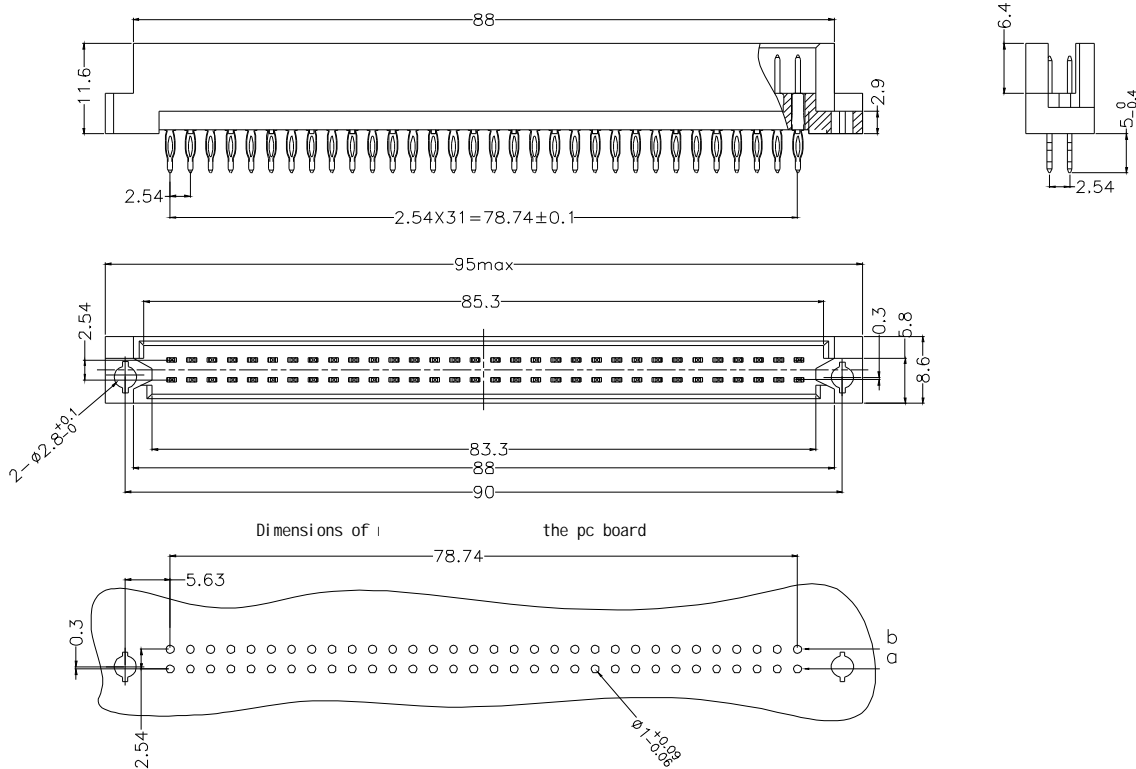
Male connector type Q crimped

Number of crimp contacts: 64/32
Please consult the manufacturer for connector coding.



Contact surface Deal with	Terminal length	Number of contacts/number of rows filled	
		32/a, b Even number	64/a, b
See Naming method	5.0mm	MQ32C- series	MQ64C- series
	13.0mm		
	17.0mm		
Step length		5.08mm half-load	2.54 mm

Overall dimensions:



Beijing Hongli Kunpeng International TradeCo., Ltd.

Tel: 86-10-57891098 MP: 86-13001179378 or 13146881693
Mail: info@hlkpint.com or lucyliu0807@163.com



鸿利鲲鹏
Hongli Kunpeng

DIN41612/IEC603-2

欧式连接器

Male connectors conforming to DIN/IEC standards

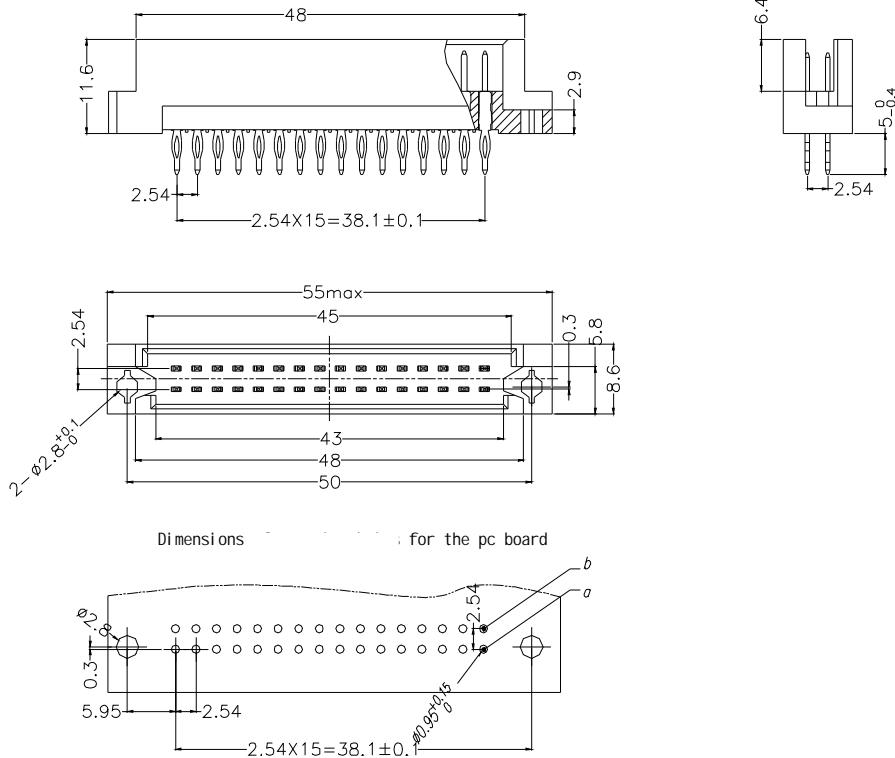
Half Q type male connector crimped type

Number of crimp contacts: 32/16
Please consult the manufacturer for connector coding.



Contact surface Deal with	Terminal length	Number of contacts/number of rows filled	
		16/a, b Even number	32/a, b
See Naming method	5.0mm	MHQ16C- series	MHQ32C- series
	13.0mm		
	17.0mm		
Step length		5.08mm half-load	2.54 mm

Overall dimensions:



Beijing Hongli Kunpeng International TradeCo., Ltd.

Tel: 86-10-57891098 MP: 86-13001179378 or 13146881693
Mail: info@hlkpi.net.com or lucyliu0807@163.com



鸿利鲲鹏
Hongli Kunpeng

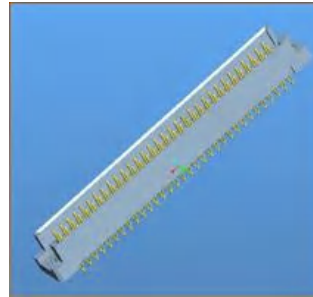
DIN41612/IEC603-2

欧式连接器

Male connectors conforming to DIN/IEC standards

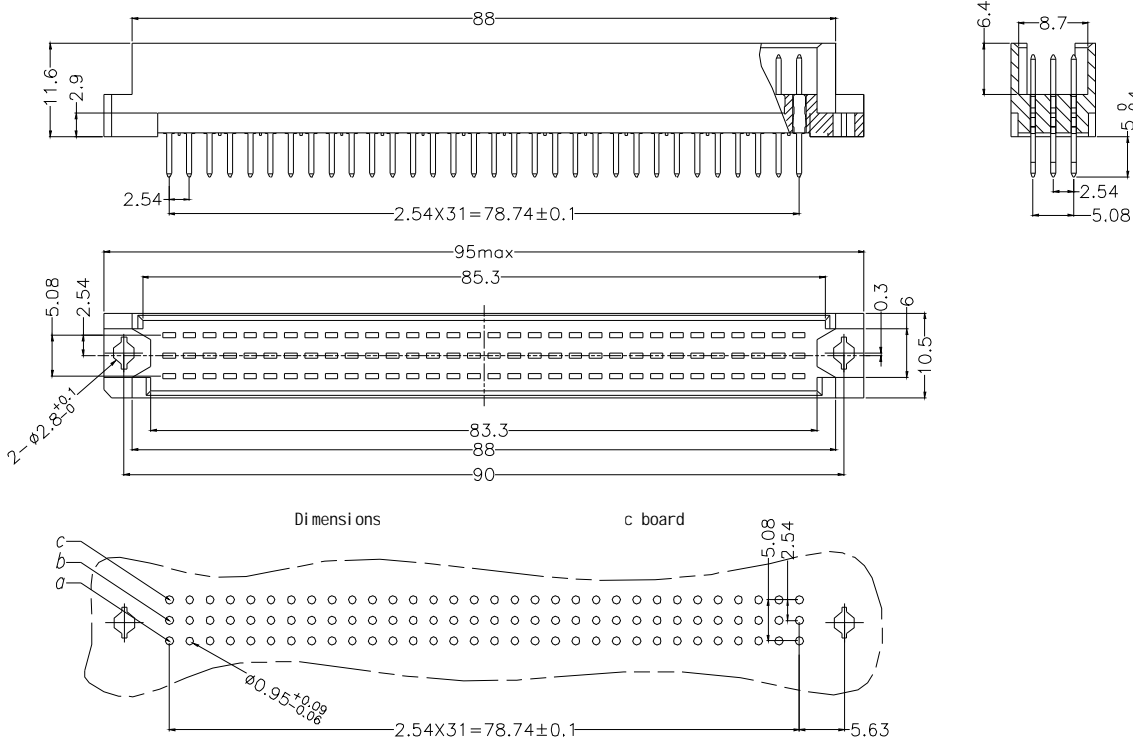
Type R male connector welded type

Number of contacts: 96/64/48/32
Please consult the manufacturer
for connector coding.



Contact surface Deal with	Number of contacts/number of rows filled					
	32/a, c Even number	48/a, b, c Even number	32/a	64/a, b	64/a, c	96/a, b, c
See Naming method	MR32S-series	MR48S- series MR48W- series	MR32S-series MR32W-series	MR64S- series MR64W-series	MR64S-series MR64W-series	MR96S- series MR96W-series
	MR32W-series					
Step length	5.08mm half-load			2.54 mm		

Overall dimensions:



Beijing Hongli Kunpeng International TradeCo., Ltd.

Tel: 86-10-57891098 MP: 86-13001179378 or 13146881693
Mail: info@hlkpiint.com or lucyliu0807@163.com



鸿利鲲鹏
Hongli Kunpeng

DIN41612/IEC603-2

欧式连接器

DIN/IEC compliant female connector

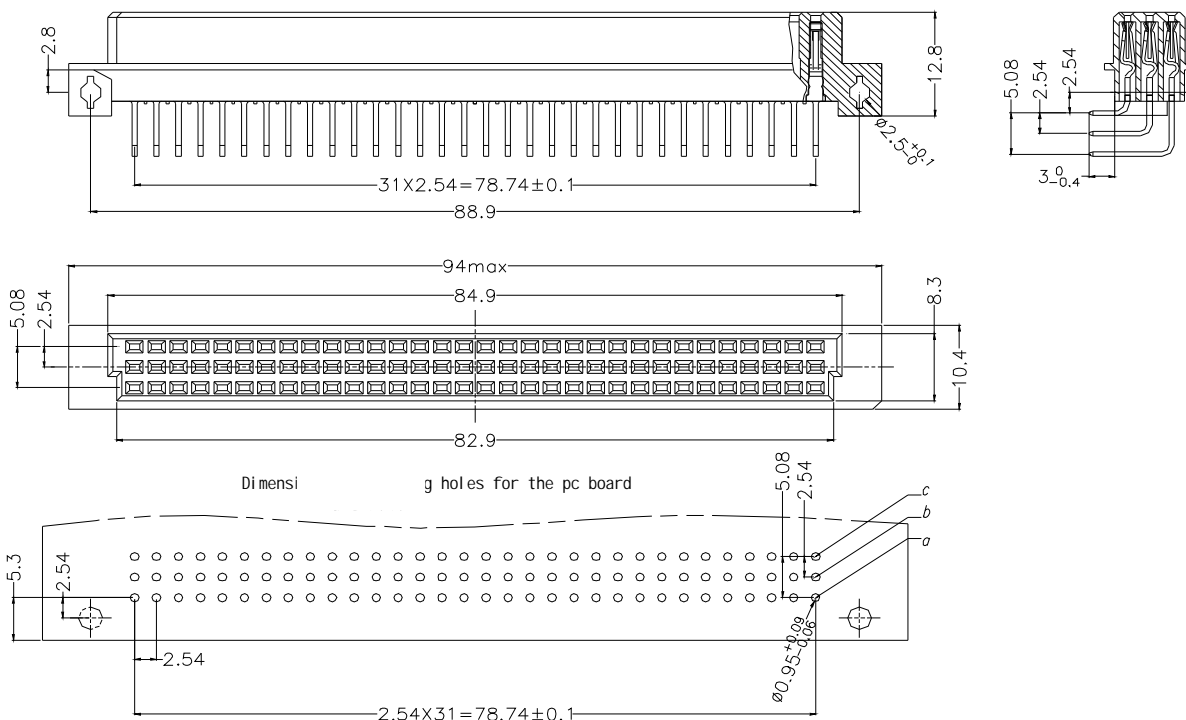
Type R female connector welded type

Number of contacts: 96/64/48/32
Please consult the manufacturer for connector coding.



Contact surface Deal with	Number of contacts/number of rows filled					
	32/a, c Even number	48/a, b, c Even number	32/a	64/a, b	64/a, c	96/a, b, c
See Naming method	FR32S-series	FR48S-series	FR32S-series	FR64S-series	FR64S-series	FR96S-series
Step length	5.08mm half-load			2.54 mm		

Overall dimensions:



Beijing Hongli Kunpeng International TradeCo., Ltd.

Tel: 86-10-57891098 MP: 86-13001179378 or 13146881693
Mail: info@hlkpiintl.com or lucyliu0807@163.com



鸿利鲲鹏
Hongli Kunpeng

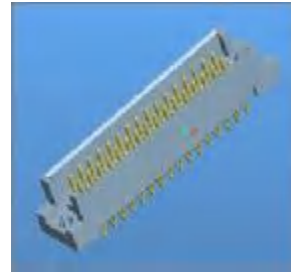
DIN41612/IEC603-2

欧式连接器

Male connectors conforming to DIN/IEC standards

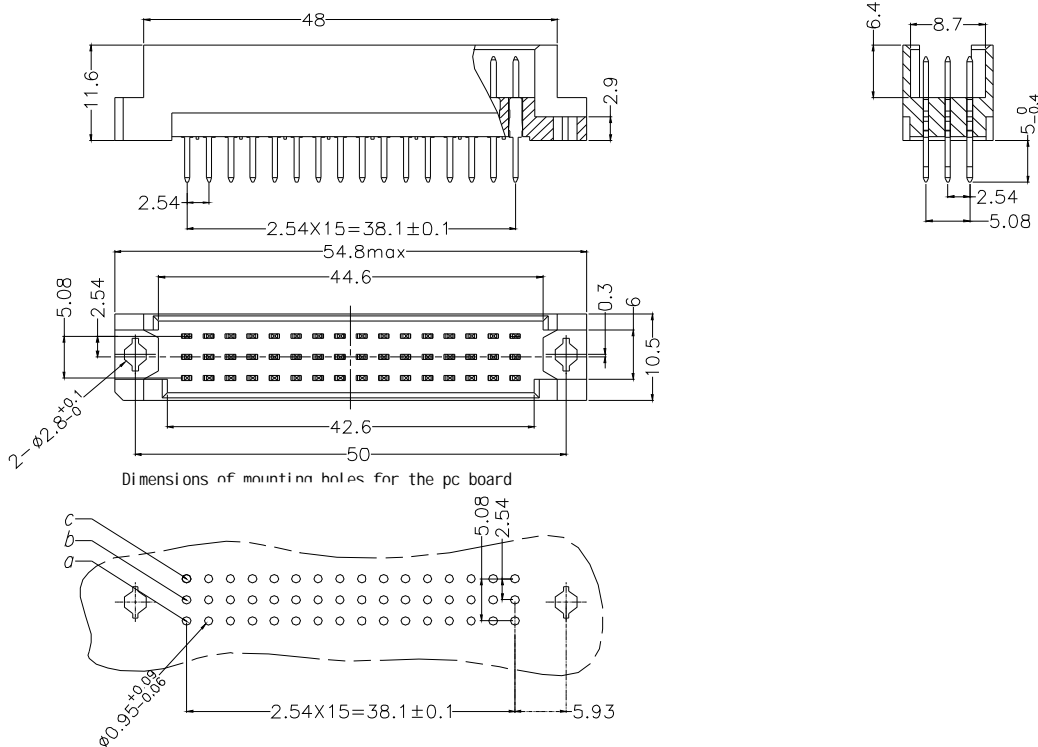
Half R type male connector welded type

Number of contacts: 48/32/24/16
Please consult the manufacturer for connector coding.



Contact surface Deal with	Number of contacts/number of rows filled					
	16/a, c Even number	24/a, b, c Even number	16/a	32/a, b	32/a, c	48/a, b, c
See Naming method	MHR16S- series	MHR24S- series	MHR16S- series	MHR32S- series	MHR32S- series	MHR48S- series
	MHR16W- series	MHR24W- series	MHR16W- series	MHR32W- series	MHR32W- series	MHR48W- series
Step length	5.08mm half-load			2.54 mm		

Overall dimensions:



Beijing Hongli Kunpeng International TradeCo., Ltd.

Tel: 86-10-57891098 MP: 86-13001179378 or 13146881693
Mail: info@hlkpi.net or lucyliu0807@163.com



鸿利鲲鹏
Hongli Kunpeng

DIN41612/IEC603-2

欧式连接器

DIN/IEC compliant female connector

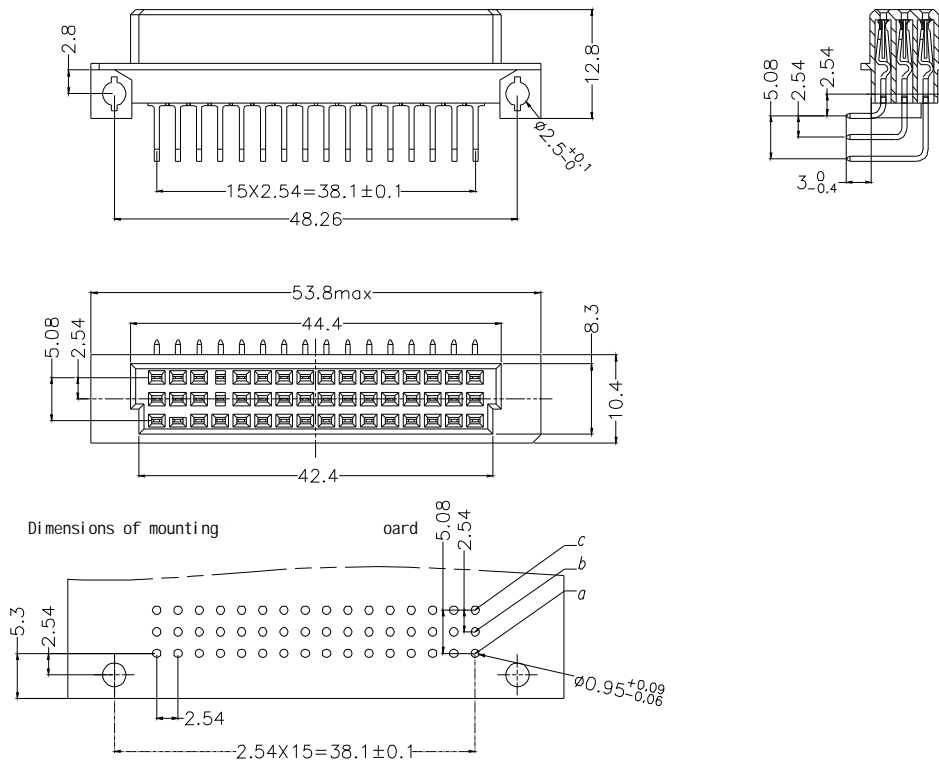
Half R female connector welded type

Number of contacts: 48/32/24/16
Please consult the manufacturer for connector coding.



Contact surface Deal with	Number of contacts/number of rows filled					
	16/a, c Even number	24/a, b, c Even number	16/a	32/a, b	32/a, c	48/a, b, c
See Naming method	FHR16S- series	FHR24S- series	FHR16S- series	FHR32S- series	FHR32S- series	FHR48S- series
Step length	5.08mm half-load		2.54 mm			

Overall dimensions:



Beijing Hongli Kunpeng International TradeCo., Ltd.

Tel: 86-10-57891098 MP: 86-13001179378 or 13146881693
Mail: info@hlkpi.net.com or lucyliu0807@163.com



鸿利鲲鹏
Hongli Kunpeng

DIN41612/IEC603-2

欧式连接器

Male connectors conforming to DIN/IEC standards

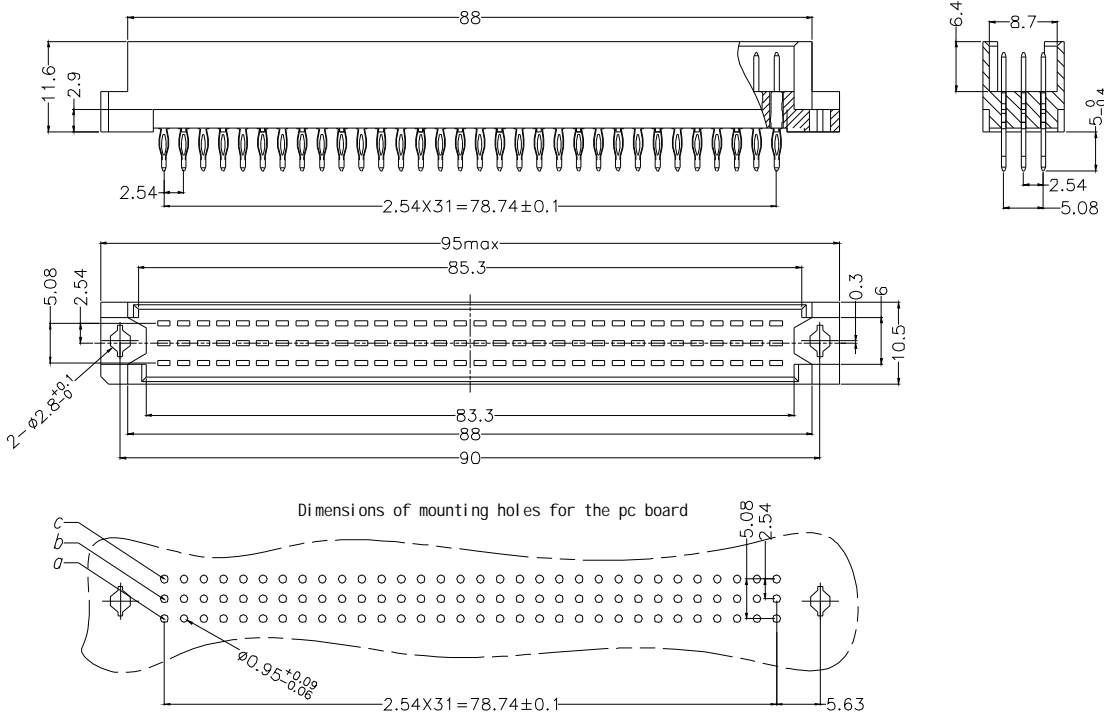
Male connector type R crimped

Number of crimp contacts: Please consult the manufacturer for the code of the 96/64/48/32c onnector.



Contact surface Deal with	Terminal length	Number of contacts/number of rows filled			
		32/a , c Even number	48/a, b, c Even number	64a , c	96/a, b, c
See Naming method	5.0mm	MR32C- series	MR48C- series	MR64C- series	MR96C- series
	13.0mm				
	17.0mm				
Step length		5.08mm half-load		2.54 mm	

Overall dimensions:



Beijing Hongli Kunpeng International TradeCo., Ltd.

Tel: 86-10-57891098 MP: 86-13001179378 or 13146881693
Mail: info@hlkpiint.com or lucyliu0807@163.com



鸿利鲲鹏
Hengli Kunpeng

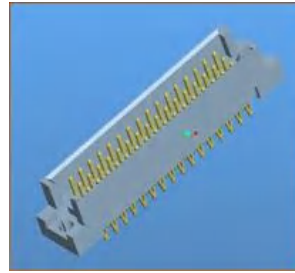
DIN41612/IEC603-2

欧式连接器

DIN/IEC compliant female connector

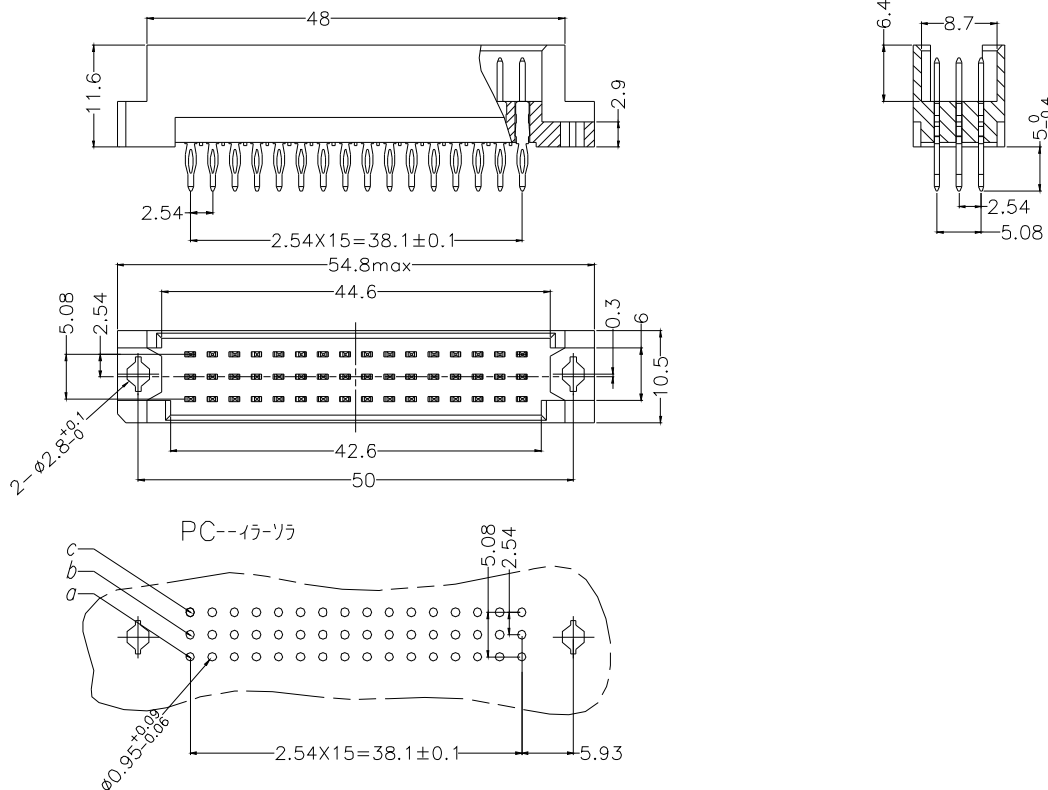
Half R type male connector

Number of crimp contacts: Contact the manufacturer for the code of the 48/32/16 connector.



Contact surface Deal with	Terminal length	Number of contacts/number of rows filled		
		16a, c Even number	32/a, c Even number	48/a, b, c MHR48C- series
See Naming method	5.0mm	MHR16C- series	MHR32C- series	
	13.0mm			
	17.0mm			
Step length		5.08mm half-load		2.54 mm

Overall dimensions:



Beijing Hongli Kunpeng International TradeCo., Ltd.

Tel: 86-10-57891098 MP: 86-13001179378 or 13146881693
Mail: info@hlkpint.com or lucyliu0807@163.com



DIN41612/IEC603-2

欧式连接器

M connectors conforming to DIN/IEC standards

The M-type two-piece connector is also available in a selection of 2, 4, 6, 8 or 10 holes for mounting specialized contacts, such as coaxial contacts, high voltage or high current contacts, and 78, 60, 42, 24 or 6 standard universal contacts that are the same as the B, C, Q and R connectors.

M type connector contact arrangement

Beijing Hongli Kunpeng International TradeCo., Ltd.

Tel: 86-10-57891098 MP: 86-13001179378 or 13146881693
Mail: info@hlkpint.com or lucyliu0807@163.com



鸿利鲲鹏
Hongli Kunpeng

DIN41612/IEC603-2

欧式连接器

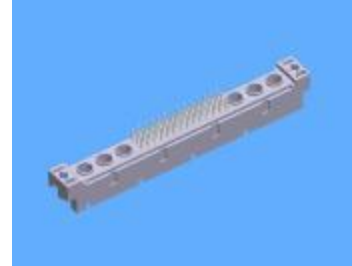
Male connectors conforming to DIN/IEC standards

M type Male Connector (Straight Pin)

Weld-type contacts Number: 6+10/24+6/42+6/60+4/78+2

Type Selection: Extension of the connector code change

Please consult the manufacturer.



Model and specification	A1	A2
MM6(+10)S-0303D	25X2.54=63.5	
MM4(+6)S-0303D	19X2.54=48.26	1X7.62=7.62
MM2(+6)S-0303D	13X2.54=33.02	2X7.62=15.24
MM6(+4)S-0303D	7X2.54=17.78	3X7.62=22.86
MM8(+2)S-0303D	1X2.54=2.54	4X7.62=30.48

Overall dimensions:

Beijing Hongli Kunpeng International TradeCo., Ltd.

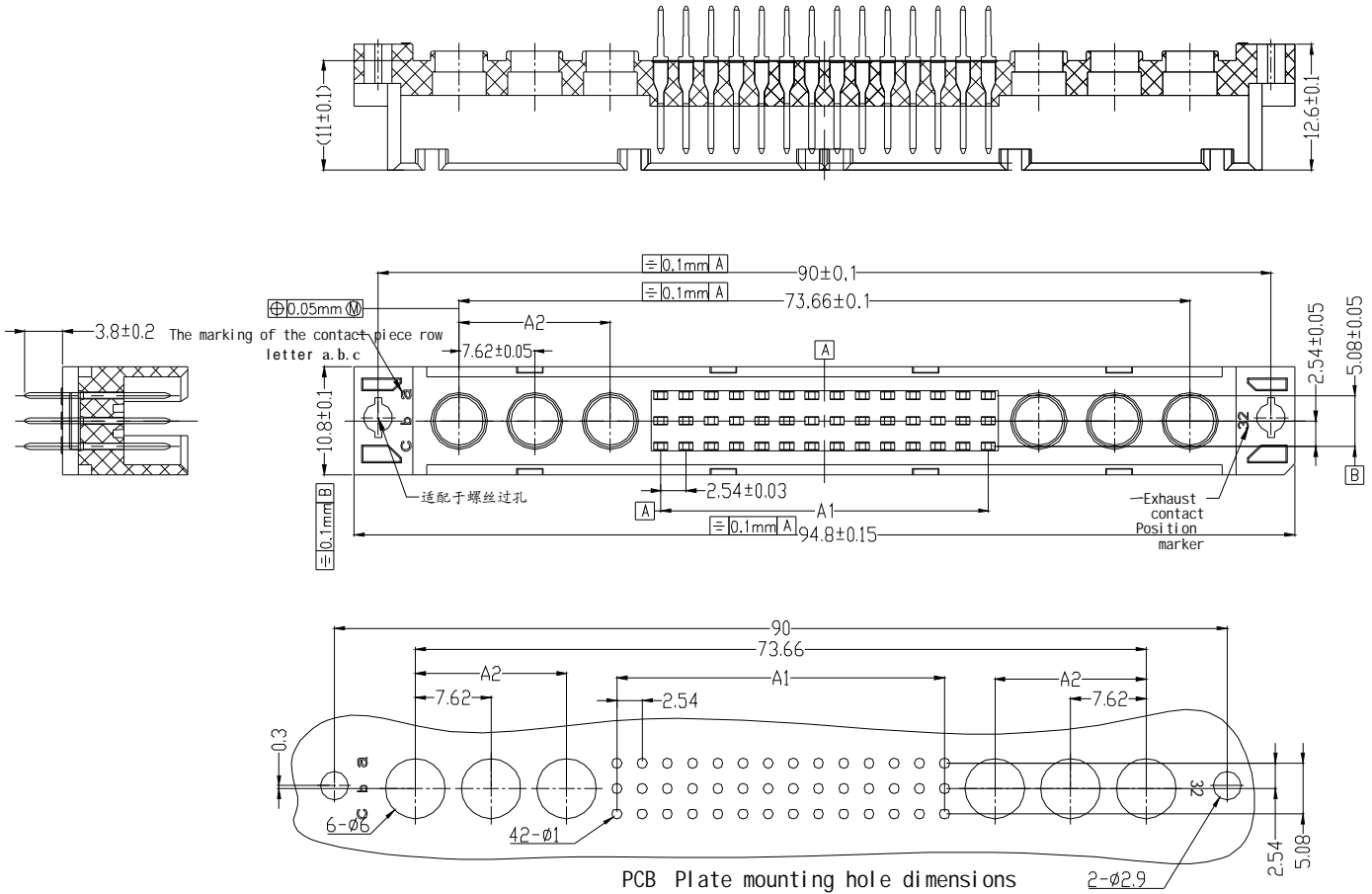
Tel: 86-10-57891098 MP: 86-13001179378 or 13146881693
Mail: info@hlkpiint.com or lucyliu0807@163.com



鸿利鲲鹏
Hongli Kunpeng

DIN41612/IEC603-2

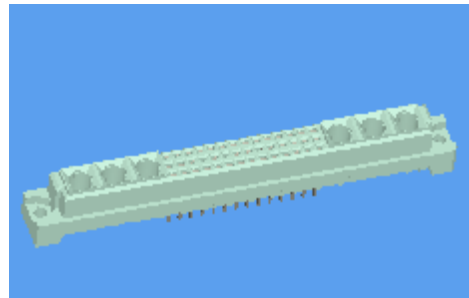
欧式连接器



DIN/IEC compliant female connector

M type female Connector (Straight Pin)

Weld-type contacts Number: 6+10/24+6/42+6/
60+4/78+2 Type Selection: Extension of the
connector code change
Please consult the manufacturer.



Model and specification	A1	A2
FM6(+10)S-0303D	25X2.54=63.5	
FM24(+6)S-0303D	19X2.54=48.26	1X7.62=7.62
FM12(+6)S-0303D	13X2.54=33.02	2X7.62=15.24
FM60(+4)S-0303D	7X2.54=17.78	3X7.62=22.86
FM78(+2)S-0303D	1X2.54=2.54	4X7.62=30.48

Beijing Hongli Kunpeng International TradeCo., Ltd.

Tel: 86-10-57891098 MP: 86-13001179378 or 13146881693
Mail: info@hlkpint.com or lucyliu0807@163.com

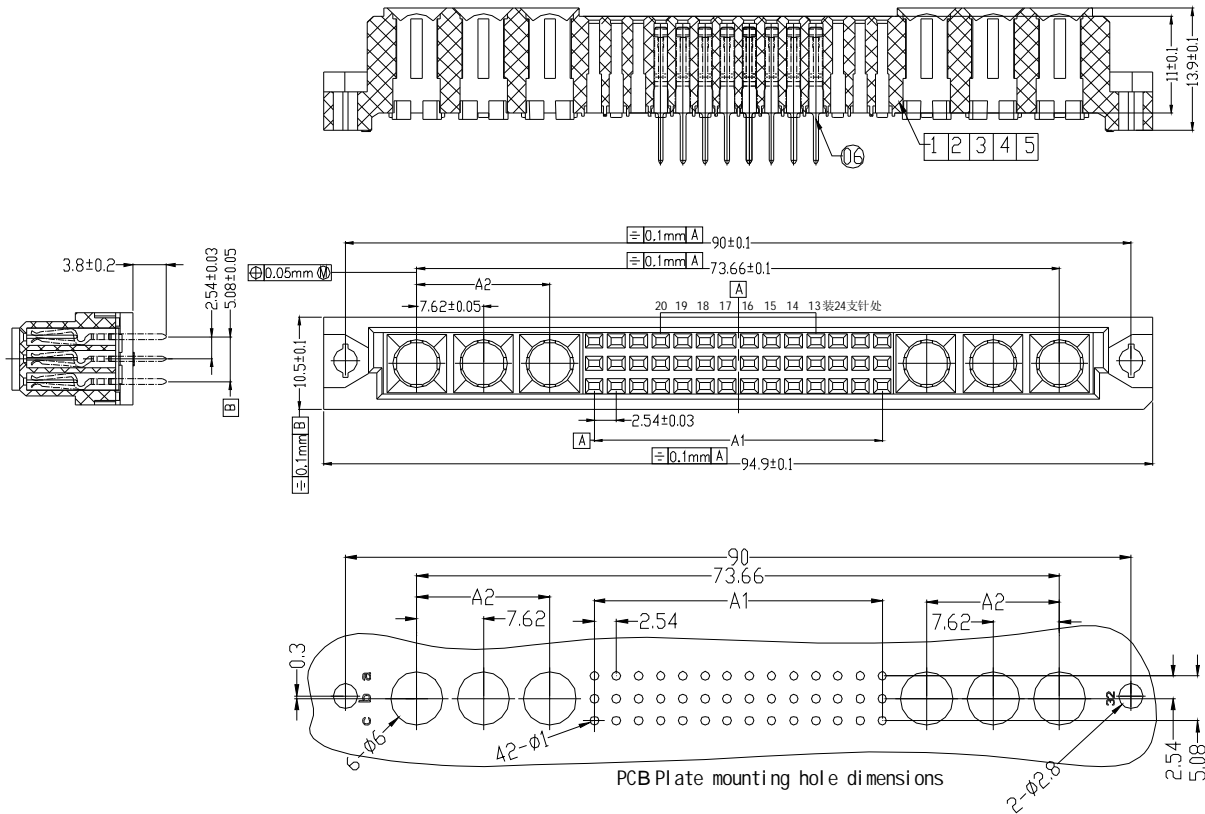


鸿利鲲鹏
Hongli Kunpeng

DIN41612/IEC603-2

欧式连接器

Overall dimensions:

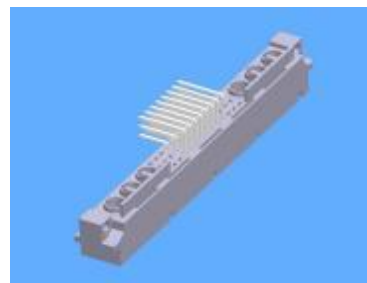


Male connectors conforming to DIN/IEC standards

M type Male Connector (Bent Pin)

Weld-type contacts Number: 6+10/24+6/42+6/
60+4/78+2 Type Selection: Extension of the
connector code change

Please consult the manufacturer.



Beijing Hongli Kunpeng International TradeCo., Ltd.

Tel: 86-10-57891098 MP: 86-13001179378 or 13146881693
Mail: info@hlpint.com or lucyliu0807@163.com



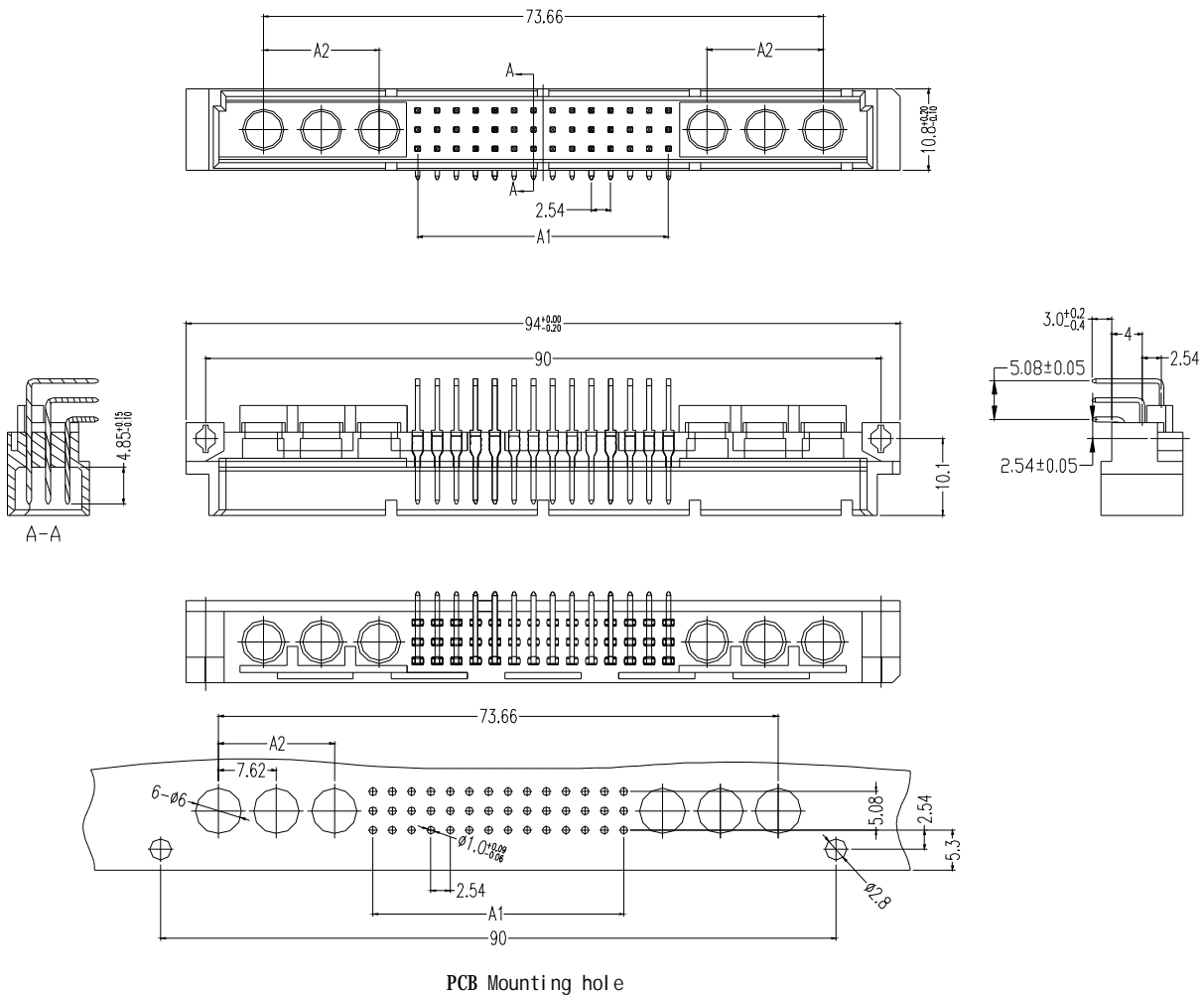
鸿利鲲鹏
Hongli Kunpeng

DIN41612/IEC603-2

欧式连接器

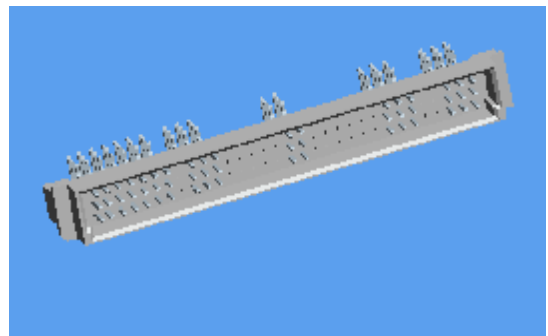
Model and specification	A1	A2
MM6(+10)S-0302D	25X2.54=63.5	
MM4(+6)S-0302D	19X2.54=48.26	1X7.62=7.62
MM2(+6)S-0302D	13X2.54=33.02	2X7.62=15.24
MM6(+4)S-0302D	7X2.54=17.78	3X7.62=22.86
MM78(+2)S-0302D	1X2.54=2.54	4X7.62=30.48

Overall dimension



Male connectors conforming to DIN/IEC standards

Type C male connector (with extension pin for first on and then off)



Model: MC50S-0302DL

Beijing Hongli Kunpeng International TradeCo., Ltd.

Tel: 86-10-57891098 MP: 86-13001179378 or 13146881693
Mail: info@hlkpint.com or lucyliu0807@163.com



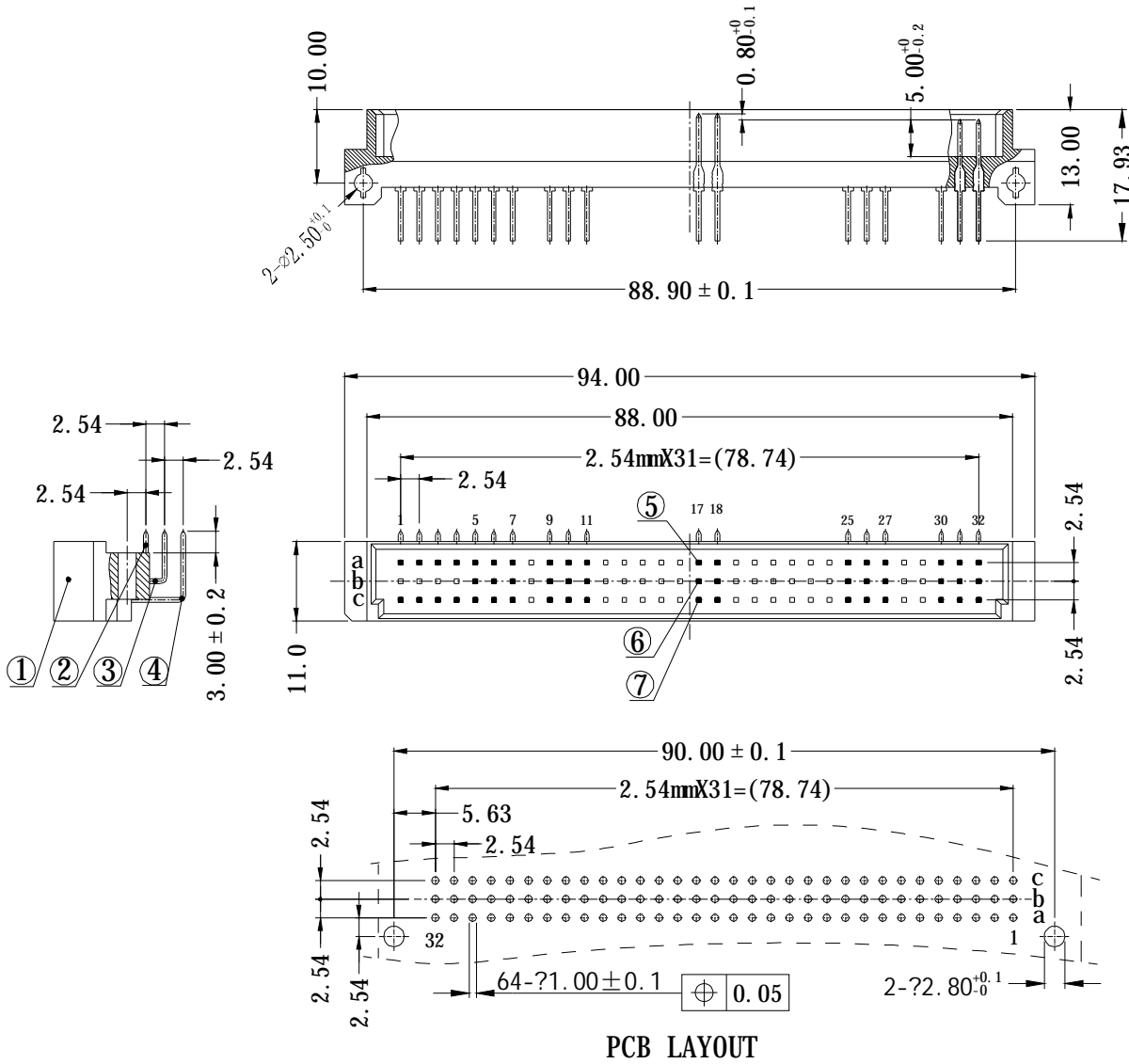
鸿利鲲鹏
Hongli Kunpeng

DIN41612/IEC603-2

欧式连接器

Number of welded contacts: 50
Type selection: Extension of connector
coding changes
Please consult the manufacturer.

Overall dimension



PCB LAYOUT

Male connectors conforming to DIN/IEC standards

Type C male connector (with extension pin for first on and then off)

Model number: MC84S-0302DL

Beijing Hongli Kunpeng International TradeCo., Ltd.

Tel: 86-10-57891098 MP: 86-13001179378 or 13146881693
Mail: info@hlkpin.com or lucyliu0807@163.com

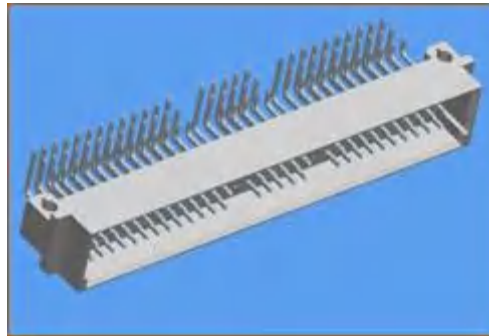


鸿利鲲鹏
Hongli Kunpeng

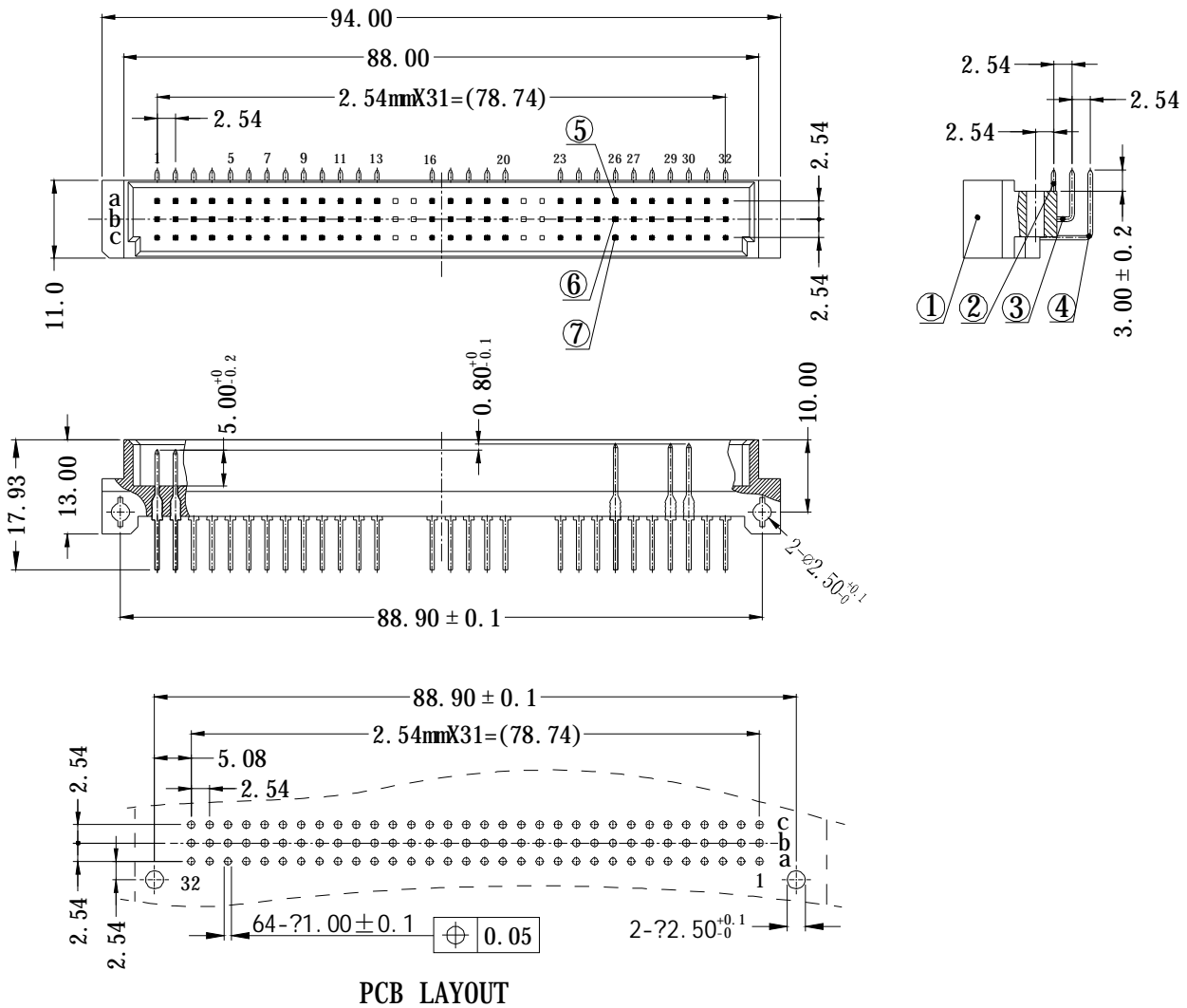
DIN41612/IEC603-2

欧式连接器

Number of welded contacts: 84
Type selection: Extension of
connector coding changes
Please consult the manufacturer.



Overall dimension



Beijing Hongli Kunpeng International TradeCo., Ltd.

Tel: 86-10-57891098 MP: 86-13001179378 or 13146881693
Mail: info@hlkpi nt.com or lucyliu0807@163.com



鸿利鲲鹏
Hongli Kunpeng

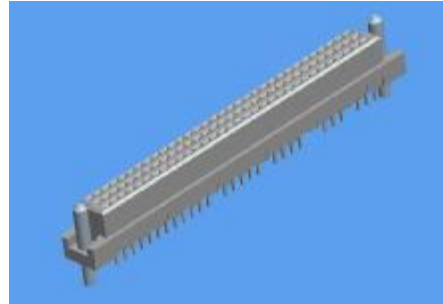
DIN41612/IEC603-2

欧式连接器

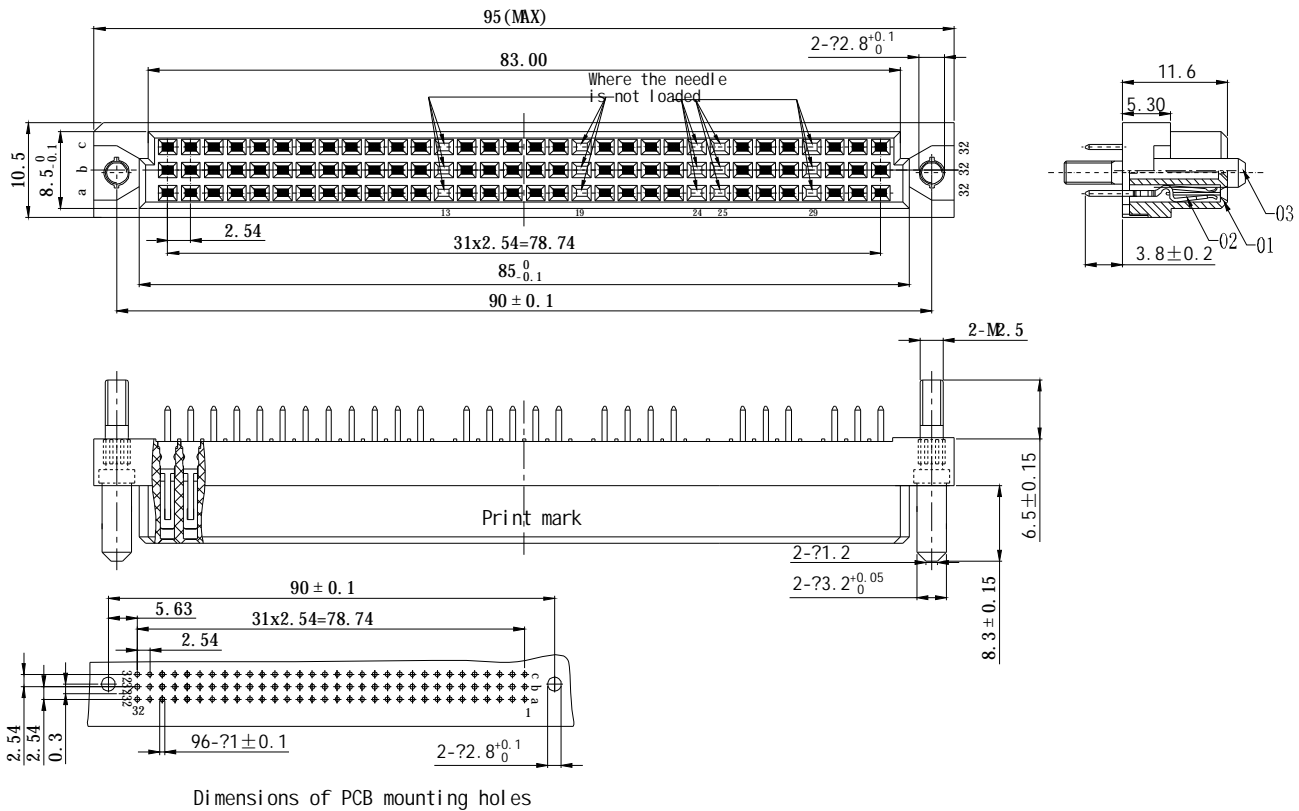
DIN/IEC compliant female connector

Type C female connector with
guide Pin Model: FC81S-
0303D-DX

Number of welded contacts: 81
Type selection: Extension of
connector coding changes
Please consult the
manufacturer.



Overall dimension



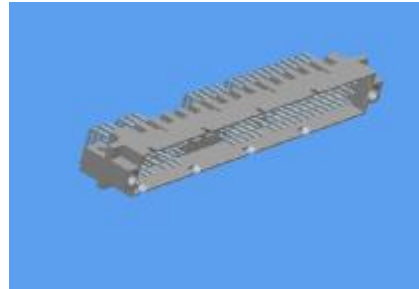
Beijing Hongli Kunpeng International TradeCo., Ltd.

Tel: 86-10-57891098 MP: 86-13001179378 or 13146881693
Mail: info@hlkpi.net.com or lucyliu0807@163.com

Male connectors conforming to DIN/IEC standards

Type C Male connector (with guide hole) Model: MC81S-0302D-DX

Number of welded contacts: 81
Type selection: Extension of connector coding changes
Please consult the manufacturer.



Overall dimension

