

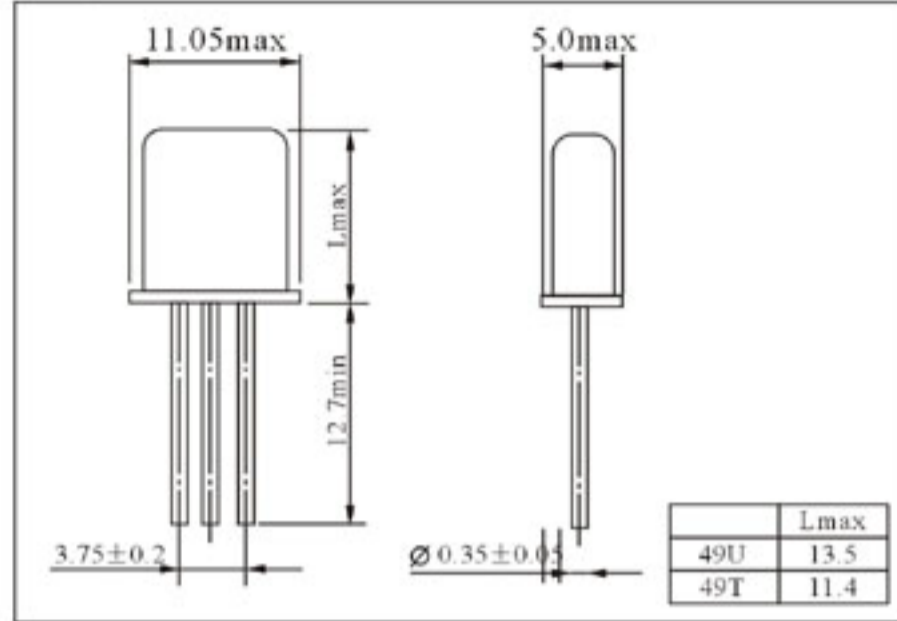
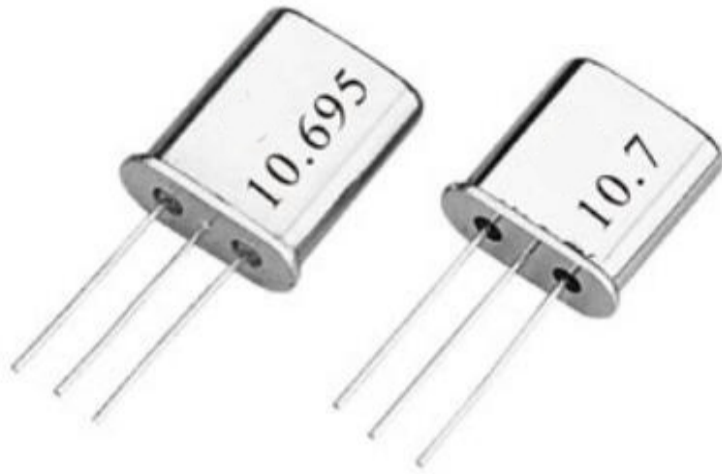


MONOLITHIC CRYSTAL FILTER

单片晶体滤波器

HC-49U/HC-49T DIP TYPE

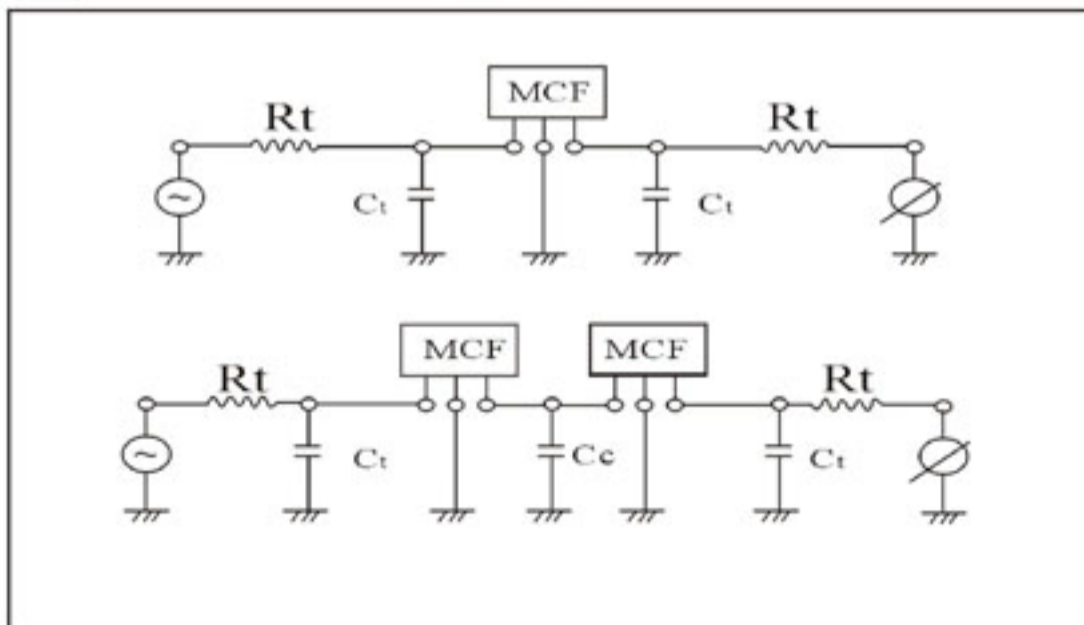
⊕ DIMENSIONS(Unit:mm) 外形尺寸



⊕ PARAMETERS 技术参数

Model 型号	Nominal Frequency 标称频率 MHz	Pass Band Width 通常宽度 KHz/dB	Stop Band Width 阻带宽度 KHz/dB	Ripple 带内波动 dB	Insertion Loss 插入损耗 dB	Terminal Impedance 终端阻抗 Rt//Ct[Ω/pF]	Operating Temp. Range 工作温度 °C	Mode of Oscillation 振动模式	Pole 极点
FT10L07A	10.695	±3.75/3	±20/20	0.5	2.0	1800//5	-20°C~70°C	Fund	2
FT10L15A	10.695	±7.5/3	±25/18	0.5	2.0	3000//2	-20°C~70°C	Fund	2
FT10L20A	10.695	±10/3	<70/18	0.5	2.0	2-3000	-20°C~70°C	Fund	2
FT10M07A1	10.7	±3.75/3	±18/20	0.5	2.0	1800//5	-20°C~70°C	Fund	2
FT10M07A2	10.7	±3.75/3	±20/20	0.5	2.0	1800//5	-20°C~70°C	Fund	2
FT10M12A	10.7	±6.00/3	±20/18	0.5	2.0	3000//3	-20°C~70°C	Fund	2
FT10M15A	10.7	±7.5/3	±25/18	0.5	2.0	3000//2	-20°C~70°C	Fund	2
FT10M20A	10.7	±10/3	<70/18	0.5	2.0	2-3000	-20°C~70°C	Fund	2
FT10M30A	10.7	±15/3	±50/18	0.5	2.0	5500//1	-20°C~70°C	Fund	2
FT10M07B1	10.7	±3.75/3	±14/40	1.0	2.5	1800//4	-20°C~70°C	Fund	4
FT10M07B2	10.7	±3.75/3	±15/40	1.0	2.5	1500//4	-20°C~70°C	Fund	4
FT10M12B	10.7	±6.00/3	±20/40	1.0	2.5	2800//1	-20°C~70°C	Fund	4
FT10M15B1	10.7	±7.50/3	±25/40	1.0	2.5	3000//1	-20°C~70°C	Fund	4
FT10M15B2	10.7	±7.50/3	±25/40	1.0	2.0	3000//2	-20°C~70°C	Fund	4
FT10M15B3	10.7	±7.50/3	±27/40	1.5	2.5	2-3000	-20°C~70°C	Fund	4
FT10M20B	10.7	±10/3	±34/40	2.0	2.5	2-3000	-20°C~70°C	Fund	4
FT10M30B	10.7	±15/3	±50/40	1.0	2.5	5500//1	-20°C~70°C	Fund	4

⊕ TEST CIRCUIT 测量线路



⊕ PASS BAND FILTER SPEC-DRAWING

